

## PRIMEX VENTING PRODUCTS AND ACCESSORIES

www.primexfits.com

### INDEX

ACCESS PANELS .....	14-15
COLLARS — TERMINATION DIFFUSER .....	14-3
DIFFUSERS — CEILING AND SIDEWALL	
WG SERIES — ADJUST-A-VENT .....	14-2
WGX SERIES — TRUE-FLOW VENT .....	14-2
SQUEEZE ELBOW — 90° — EB4X90 .....	14-5
TRIM PLATES — 501 SERIES .....	14-16
VENTS	
EXHAUST / DRYER — DV4 SERIES — DRYER / EXHAUST VENT (NO SCREEN).....	14-11
INTAKE AND EXHAUST	
WC SERIES — INTAKE AND EXHAUST.....	14-9 – 14-10
WCD AND WCT SERIES — DOUBLE AND TRIPLE.....	14-12
WCL SERIES — LOW PROFILE.....	14-13
ROOF	
ACCESSORIES (SNAP-IN ADAPTER) .....	14-6, 14-8
RVL28 SERIES / WC28 WALL CAP .....	14-6
RV20 SERIES — LOW PROFILE .....	14-7
RV28 SERIES — GOOSE NECK .....	14-8
SOFFIT	
ACCESSORIES (SNAP-IN ADAPTER) .....	14-3
SV28 — INTAKE AND EXHAUST.....	14-3
RDV SERIES .....	14-5
SV6 SERIES .....	14-4
SV156 SERIES — SLAB DUCT.....	14-4
SV SERIES.....	14-4
WALL — EXTERIOR	
RANGE HOODS .....	14-11
WALL CAPS — EXTENDED	
WCX — DOME COVER.....	14-14
WCXF — FLAT COVER .....	14-15

***For pricing and availability please contact your ECCO Supply™ Sales Representative.***

***Expert Service. Quality Products. Since 1960.***

## PRIMEX VENTING PRODUCTS AND ACCESSORIES

[www.primexfits.com](http://www.primexfits.com)

### CEILING AND SIDEWALL DIFFUSERS

#### WG SERIES — ADJUST-A-VENT

##### Features

- Dual Flow: Air supply or exhaust
- Strong stainless steel grip “clip”, provides a snug fit
- Extra thick foam gasket, allows for tight seal on uneven surfaces and provides quiet air flow
- Supplied lock nut fine tunes air flow settings
- Extra long collar simplifies installation
- Made from high strength polymer resin
- WG401 vent is compatible with “squeeze elbow” accessory: EB4x90
- Easy to install and remove
- Very quiet during operation



ITEM #	MODEL	DESCRIPTION	DIA (")	FREE AREA (SQ. IN.)	CTN/QTY
683104	WG401	Short Base	4	5.5	25
683338		Extended Base	4	–	25
683105	WG501	Extended Base	5	9.9	25
683106	WG601	Extended Base	6	11.4	25

**Colour:** Snow White (01)

#### WGX SERIES — TRUE-FLOW VENT

##### Features

- Dual Flow: Air supply or exhaust
- 5 sizes
- Increased air flow
- 4 Wing adjustment screw to set air flow
- Snap-on trim ring included
- Nearly “True Size” inner cavity
- WGX45 vent is compatible with Primex’s “squeeze elbow” accessory EB4x90
- Easy to install and remove
- Secure friction fit
- Added security of mounting screws through base flange
- Trim ring snaps into place over flange to hide mounting screws



ITEM #	MODEL	DESCRIPTION	DIA (")	FREE AREA (SQ. IN.)	CTN/QTY
683340	WGX4	Adjustable Air Diffuser	4	10.5	25
683342	WGX5	Adjustable Air Diffuser	5	16.9	25
683344	WGX6	Adjustable Air Diffuser	6	25.1	25
683346	WGX7	Adjustable Air Diffuser	7	35.5	15
683348	WGX8	Adjustable Air Diffuser	8	45.5	15

**Colour:** Snow White (01)

# PRIMEX VENTING PRODUCTS AND ACCESSORIES

[www.primexfits.com](http://www.primexfits.com)

## TERMINATION DIFFUSER COLLARS

### Features

- Quick and easy installation with no sharp edges
- Can be used for ceiling or wall terminations
- Preset for 1/2" and 5/8" drywall
- 90° back-stop for a level, uniform installation with bottom flange for a permanent air seal
- Off-set from joist for easy installation of ducting and clearance for application of tape or sealer
- Duct-Stop-Point ensures no screws penetrate the collar and impede the insertion of the grille
- A rigid bottom flange guarantees the drywall router tool conforms to the circular opening
- V-shaped indentations on bottom edge for centering with previously installed fixtures



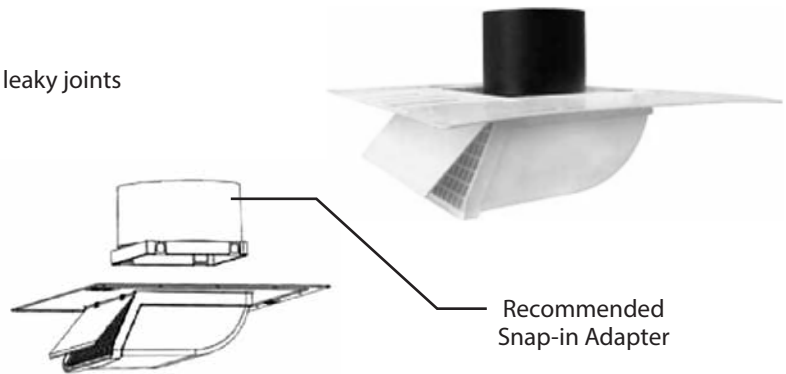
ITEM #	MODEL	DESCRIPTION	SIZE (")	CTN/QTY
683164	DC4	Terminator 4", black	4	25
683165	DC5	Terminator 5", black	5	25
683166	DC6	Terminator 6", black	6	25

## SOFFIT VENTS

### SV28 — INTAKE AND EXHAUST

### Features

- Low profile one piece molded hood eliminates leaky joints and provides maximum water protection
- Optional screen and removable damper
- Available for intake or exhaust applications
- Snap-in adapters ensure a tight seal
- Quick and easy to install
- Made with UV protected polymer resin



### Approximate Sizes

Flange: 16-1/4" × 18-5/8"

Hood: 10-1/4" × 10-1/2" × 4-3/8"

ITEM #	MODEL	DESCRIPTION	COLOUR	FREE AREA (SQ. IN.)	CTN/QTY
683250	SV2801	Soffit Vent	Snow White – 01	27.6	6
683251	SV2823	Soffit Vent	Taupe – 23	27.6	6
683252	SV2801NS	Soffit Vent	Snow White – 01	40.3	6
683253	SV2823NS	Soffit Vent	Taupe – 23	40.3	6

**NOTE:** NS = No Bird Screen

**Colours:** Snow White (01), Taupe (23)

## ACCESSORIES (SNAP-IN ADAPTER)

ITEM #	MODEL	DESCRIPTION	DIA (")	FREE AREA (SQ. IN.)	CTN/QTY
683150	RV28-4	Duct Adapter	4	12.6	30
683151	RV28-5	Duct Adapter	5	19.6	30
683152	RV28-6	Duct Adapter	6	27.6/28.3 NS	25
683153	RV28-7	Duct Adapter	7	27.6/38.5 NS	25
683154	RV28-8	Duct Adapter	8	27.6/40.3 NS	18

**NOTE:** NS = No Bird Screen

– E.&O.E. – All Prices F.O.B. Our Warehouse – Subject to Change Without Notice – All Taxes Extra – May not be Available at All Branches –

# PRIMEX VENTING PRODUCTS AND ACCESSORIES

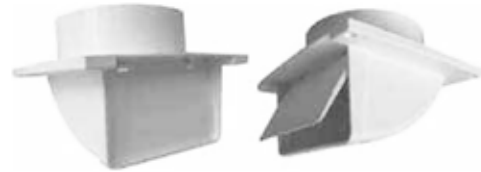
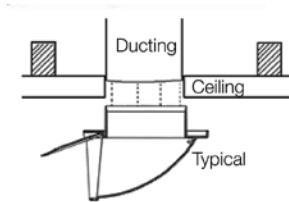
[www.primexfits.com](http://www.primexfits.com)

## SOFFIT VENTS (cont'd)

### SV SERIES

#### Features

- Low profile one piece design is less obtrusive than traditional vents
- Models for 4" and 5" ducting
- No leaky seams on the vent hood
- Made from UV stabilized polymer resin



ITEM #	MODEL	DESCRIPTION	DIA (")	COLOUR	FREE AREA (SQ. IN.)	CTN/QTY
683127	SV401	Soffit Vent with Damper	4	Snow White – 01	12.6	24
683146	SV423	Soffit Vent with Damper	4	Taupe – 23	12.6	24
683128	SV501	Soffit Vent with Damper	5	Snow White – 01	13.3	24
683129	SV523	Soffit Vent with Damper	5	Taupe – 23	13.3	24

**Colours:** Snow White (01), Taupe (23)

### SV156 SERIES — SLAB DUCT

#### Features

- Molded one piece base
- Fits ECCODUCT™ as well as most brands of slab duct
- Removable damper for intake applications
- Manufactured to replace the standard metal discharge hoods currently available
- Low profile one piece molded hood eliminates leaky joints and maximizes water protection
- Made from UL listed VO polymer
- UV stabilized
- Hoods are easily cleaned or replaced



#### Approximate Sizes

Flange: 6" × 15"

Hood: 4-7/16" × 12-1/16"

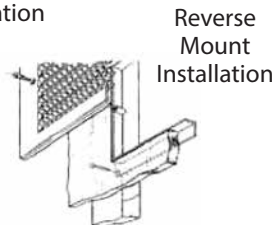
ITEM #	MODEL	DESCRIPTION	DIA (")	FREE AREA (SQ. IN.)	CTN/QTY
683145	SV15601	Slab Duct Soffit Vent	4	27.8	24

**Colour:** Snow White (01), Light Grey (31)

### SV6 SERIES

#### Features

- Molded-in mesh screen
- Comes with 2 installation screws
- The SV6X9 may be installed with or without the access frame
- Made from UV stabilized polymer resin
- Easy to install



ITEM #	MODEL	DESCRIPTION	SIZE (")	FREE AREA (SQ. IN.)	CTN/QTY
683121	SV6X9-S	Rectangular Soffit Vent – Screen Vent	6 × 9	15.7	22
683122	SV6X9-SF	Vent Kit: Screen And Access Frame	6 × 9	15.7	22
683148	SV6X9-23	Soffit Vent w/Access Frame	6 × 9	15.7	22

**Colours:** Snow White (01), Taupe (23)

# PRIMEX VENTING PRODUCTS AND ACCESSORIES

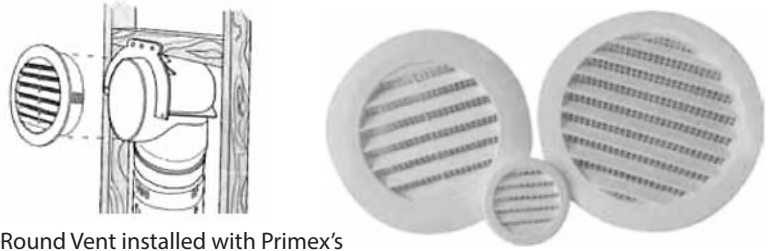
[www.primexfits.com](http://www.primexfits.com)

## SOFFIT VENTS (cont'd)

### RDV SERIES

#### Features

- Extra long collar for better hose or duct connection
- Molded-in mesh screen
- 4 available sizes
- Secure friction fit
- Made from UV stabilized polymer resin



4" Round Vent installed with Primex's "Squeeze Elbow" EB4x90

ITEM #	MODEL	DESCRIPTION	DIA (")	FREE AREA (SQ. IN.)	CTN/QTY
683112	RDV-2S	Round, Screened Soffit Vent	2	1.1	50
683114	RDV-4S	Round, Screened Soffit Vent	4	4.0	70
683115	RDV-5S	Round, Screened Soffit Vent	5	6.4	50
683116	RDV-6S	Round, Screened Soffit Vent	6	10.3	30

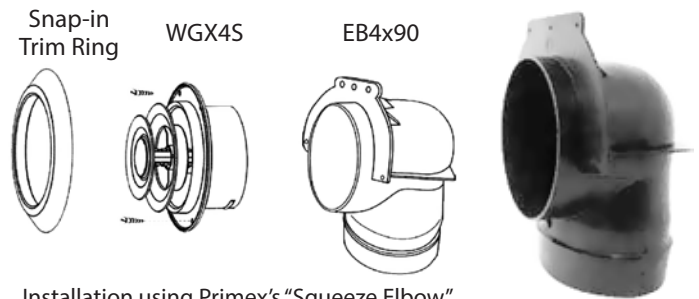
**NOTE:** RDV-4S can be installed with EB4x90 Squeeze Elbow.

**Colours:** Snow White (01)

## EB4X90 — 90° SQUEEZE ELBOW

#### Features

- Impact resistant polymer resin. 4" x 90° plastic stack hood elbow
- Compatible with several 4" diameter Primex vents
- Designed to fit inside 2" x 4" walls
- Works well with WG4, WGX4S and RDV4
- Easy installation
- Quick rough-in



Installation using Primex's "Squeeze Elbow"

ITEM #	MODEL	DESCRIPTION	DIA (")	CTN/QTY
683092	EB4X90	Squeeze Elbow	4	25

**Colour:** Black (11)

**EB4X90 is compatible with Models listed below**

MODEL	DIAMETER (")	DESCRIPTION	CTN/QTY	FREE AREA (SQ. IN.)
DV401	4	Dryer Vent	24	12.6
RDV4S	4	Round, Screened Soffit Vent	70	4.00
SV401	4	Soffit Vent	24	12.6
WG401	4	Air Diffuser	25	5.5
WGX4S	4	Adjust-A-Vent air diffuser with short base	25	10.5
WC401	4	Wall Cap	25	9.5

# PRIMEX VENTING PRODUCTS AND ACCESSORIES

[www.primexfits.com](http://www.primexfits.com)

## ROOF VENTS

### RVL28 SERIES / WC28 WALL CAP

#### Features

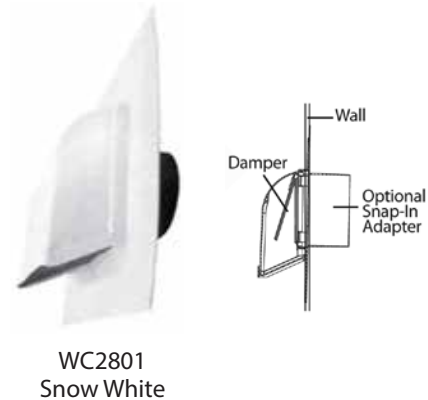
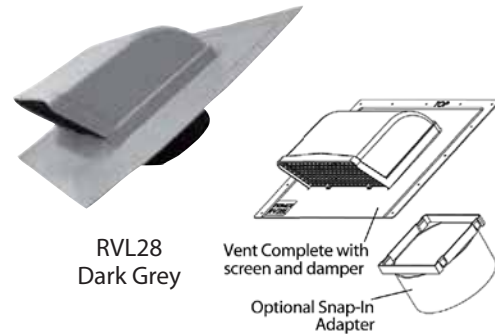
- Enhances aesthetics with low profile that blends in with roof
- Keep inventories low with single hood size and separate 4 to 8 inch easy snap-in adapters
- Increases installation options because it can be used on steep slope roof (<60 degrees) and even as a wall cap (WC28)
- Eliminates leaky joints and maximizes water protection with one piece, molded hood
- Ensures watertight installation with over-sized flange
- Long lasting durability with UV protected, impact resistant polymer resin
- Simple intake/exhaust conversion via removable damper

#### Applications

- Through-roof exhaust of dryers, bathroom and kitchen fans, stove vents
- Intake for furnaces, fresh air make-up, attic venting

#### Notes and Specs

- For dryer applications Primex recommends "No bird screen (NS)" model
- For steep roof (<60 degrees) and vertical wall applications, order WC28 model
- Free Area = 27.8 sq. in. (179.4 square cm)
- Hood Size: 10-1/4" x 10-1/2" x 4-3/8"
- Flange Size: 16-1/4" x 18-5/8"
- Standard configuration of RVL28 and WC28 come with removable screen and damper
- RV28 adapters sold separately



ITEM #	MODEL	DESCRIPTION	COLOUR	FREE AREA (SQ. IN.)	CTN/QTY
683286	RVL2825	Roof Mount: Intake Exhaust Vent	Black – 25	27.8	6
683287	RVL2828	Roof Mount: Intake Exhaust Vent	Dark Grey – 28	27.8	6
683288	RVL2868	Roof Mount: Intake Exhaust Vent	Dark Brown – 68	27.8	6
683289	RVL2828NS	Roof Mount: Intake Exhaust Vent	Dark Grey – 28	40.3	6
C683091	WC28	Wall Cap: Intake Exhaust Vent	–	27.8	6
C683091	WC28NS	Wall Cap: Intake Exhaust Vent	–	40.3	6

**NOTE:** NS = No Bird Screen

**Colours:** RVL28 – Black (25), Dark Brown (68), Light Grey (31), Dark Grey (28)  
WC28 – Light Grey (31), Snow White (01), Tan (45), Taupe (23)

### ACCESSORIES (SNAP-IN ADAPTER)

ITEM #	MODEL	DESCRIPTION	DIA (")	FREE AREA (SQ. IN.)	CTN/QTY
683150	RV28-4	Snap-In Adapter	4	12.6	30
683151	RV28-5	Snap-In Adapter	5	19.6	30
683152	RV28-6	Snap-In Adapter	6	27.6/28.3 NS	25
683153	RV28-7	Snap-In Adapter	7	27.6/38.5 NS	25
683154	RV28-8	Snap-In Adapter	8	27.6/40.3 NS	18

**NOTE:** NS = No Bird Screen

– E.&O.E. – All Prices F.O.B. Our Warehouse – Subject to Change Without Notice – All Taxes Extra – May not be Available at All Branches –

# PRIMEX VENTING PRODUCTS AND ACCESSORIES

[www.primexfits.com](http://www.primexfits.com)

## ROOF VENTS *(cont'd)*

### RV20 SERIES — LOW PROFILE

#### Features

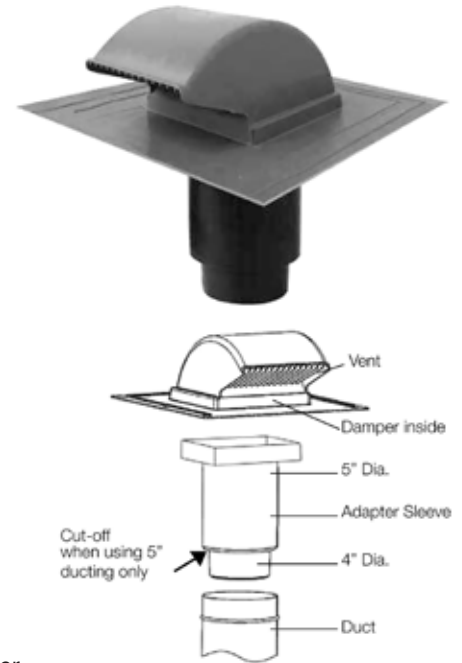
- Eliminates leaky joints and maximizes water protection with one piece molded hood
- Ensures watertight installation with over-sized flange
- Long lasting durability with UV protected, impact resistant polymer resin
- Compatible with 4 or 5 inch ducting with included RV45 easy snap-in adapter
- Simple intake/exhaust conversion via removable damper
- Quick and easy installation with installer-friendly packaging (i.e. vent/adaptor bagged together)

#### Applications

- Through-roof exhaust of dryers, bathroom and kitchen fans, stove vents
- Intake for furnaces, fresh air make-up, attic venting

#### Notes and Specs

- For dryer applications Primex recommends "No bird screen (NS)" model
- Free area = 20 sq. in. (129 square cm)
- Hood Size: 6.5" × 6.88" × 4.88"
- Standard configuration of RV20 Kit comes with screen, damper and RV45 Adapter



ITEM #	MODEL	DESCRIPTION	COLOUR	FREE AREA (SQ IN)	CTN/QTY
683167	RV2025KIT	Roof Mount: Intake/Exhaust Vent	Black – 25	20.9	10
683168	RV2028KIT	Roof Mount: Intake/Exhaust Vent	Dark Grey – 28	20.9	10
683169	RV2031KIT	Roof Mount: Intake/Exhaust Vent	Light Grey – 31	20.9	10
683170	RV2045KIT	Roof Mount: Intake/Exhaust Vent	Tan – 45	20.9	10
683171	RV2068KIT	Roof Mount: Intake/Exhaust Vent	Dark Brown – 68	20.9	10
683172	RV2025KITNS	Roof Mount: Intake/Exhaust Vent	Black – 25	21.4	10
683174	RV2028KITNS	Roof Mount: Intake/Exhaust Vent	Dark Grey – 28	21.4	10
C683091	RV2031KITNS	Roof Mount: Intake/Exhaust Vent	Light Grey – 31	21.4	10
C683091	RV2045KITNS	Roof Mount: Intake/Exhaust Vent	Tan – 45	21.4	10
683173	RV2068KITNS	Roof Mount: Intake/Exhaust Vent	Dark Brown – 68	21.4	10

**NOTES:** NS = No Bird Screen

*Flexible duct not included with kit.*

**Colours:** Black (25), Dark Brown (68), Dark Grey (28), Light Grey (31), Tan (45)

# PRIMEX VENTING PRODUCTS AND ACCESSORIES

[www.primexfits.com](http://www.primexfits.com)

## ROOF VENTS (cont'd)

### RV28 SERIES — GOOSE NECK

#### Features

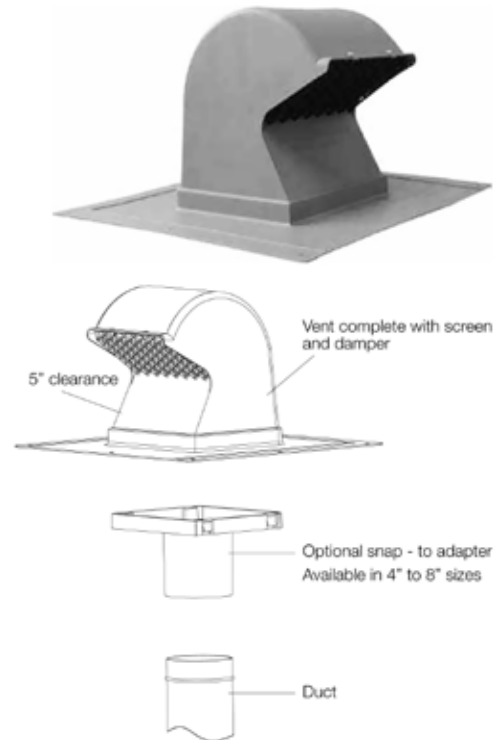
- Provides all-weather ventilation with 5" of additional height for snow clearance
- Maximize inventory turns with single hood size and separate 4 to 8 inch easy snap-in adapters
- Eliminates leaky joints and maximizes water protection with one piece, molded hood
- Ensures watertight installation with over-sized flange
- Long lasting durability with UV protected, impact resistant polymer resin
- Simple intake/exhaust conversion via removable damper

#### Applications

- Through-roof exhaust of dryers, bathroom and kitchen fans, stove vents
- Intake for furnaces, fresh air make-up, attic venting

#### Notes and Specs

- For dryer applications Primex recommends "No bird screen (NS)" model
- Free Area = 26.5 sq. in. (171 square cm)
- Hood Size: 7.5" x 7.25" x 9.38"
- Standard configuration of RV28 comes with removable screen and damper
- RV28 adapters sold separately



ITEM #	MODEL	DESCRIPTION	COLOUR	FREE AREA (SQ. IN.)	CTN/QTY
683140	RV2825	Exhaust Vent with Screen	Black – 25	26.5	5
683143	RV2828	Exhaust Vent with Screen	Dark Grey – 28	26.5	5
683142	RV2831	Exhaust Vent with Screen	Light Grey – 31	26.5	5
683144	RV2868	Exhaust Vent with Screen	Dark Brown – 68	26.5	5

**Colours:** Black (25), Dark Brown (68), Dark Grey (28), Light Grey (31), Tan (45)

### ACCESSORIES (SNAP-IN ADAPTER)

ITEM #	MODEL	DESCRIPTION	DIA (")	FREE AREA (SQ. IN.)	CTN/QTY
683150	RV28-4	Snap-In Adapter	4	12.6	30
683151	RV28-5	Snap-In Adapter	5	19.6	30
683152	RV28-6	Snap-In Adapter	6	26.5/28.3 NS	25
683153	RV28-7	Snap-In Adapter	7	26.5/38.5 NS	25
683154	RV28-8	Snap-In Adapter	8	26.5/40.3 NS	18

**NOTE:** NS = No Bird Screen



# PRIMEX VENTING PRODUCTS AND ACCESSORIES

[www.primexfits.com](http://www.primexfits.com)

## WALL VENTS — EXTERIOR

### WC SERIES — INTAKE AND EXHAUST

#### Features

- Compatible with rain screen applications via extended base that compensates for cavity between wall and cladding
- Eliminates leaky joints and maximizes water protection with one piece molded hood and built-in drip edge
- Integrity of the “Building Envelope” is maintained via removable hood that makes cleaning or replacement simple
- Long lasting durability with UV protected, impact resistant, polymer resin
- Ensures watertight installation with over-sized flange

#### Applications

- Through-wall exhaust of dryers, bathroom and kitchen fans, stove vents
- Intake for furnaces, fresh air make-up

#### Notes and Specs

- For dryer applications Primex recommends “No bird screen (NS)” model
- Removable damper makes conversion of intake/exhaust simple



ITEM #	MODEL	COLLAR SIZE (")	DUCT DIA (")	COLOUR	FREE AREA (SQ. IN.)	CTN/QTY
683094	WC401	4	4	Snow White – 01	9.5	25
683093	WC401NS	4	4	Snow White – 01	12.6	25
683133	WC423	4	4	Taupe – 23	9.5	25
683157	WC423NS	4	4	Taupe – 23	12.6	25
683109	WC425	4	4	Black – 25	9.5	25
683155	WC425NS	4	4	Black – 25	12.6	25
683126	WC428	4	4	Dark Grey – 28	9.5	25
683095	WC431	4	4	Light Grey – 31	9.5	25
683131	WC431NS	4	4	Light Grey – 31	12.6	25
683096	WC445	4	4	Tan – 45	9.5	25
683156	WC445NS	4	4	Tan – 45	12.6	25
683161	WC468	4	4	Dark Brown – 68	9.5	25
683097	WC501	5	5	Snow White – 01	19.6	10
683103	WC501NS	5	5	Snow White – 01	19.6	10
683134	WC523	5	5	Taupe – 23	19.6	10
683160	WC523NS	5	5	Taupe – 23	19.6	10
683110	WC525	5	5	Black – 25	19.6	10
683135	WC525NS	5	5	Black – 25	19.6	10
683139	WC528	5	5	Dark Grey – 28	19.6	10
683098	WC531	5	5	Light Grey – 31	19.6	10

(cont'd on next page)

**NOTES:** All vents come standard with a coarse bird screen.  
NS = No Bird Screen

**Colours:** Snow White (01), Light Grey (31), Tan (45), Taupe (23), Dark Brown (68), Black (25), Dark Grey (28)

## PRIMEX VENTING PRODUCTS AND ACCESSORIES

[www.primexfits.com](http://www.primexfits.com)

### WALL VENTS — EXTERIOR (cont'd)

#### WC SERIES — INTAKE AND EXHAUST (cont'd)

ITEM #	MODEL	COLLAR SIZE (")	DUCT DIA (")	COLOUR	FREE AREA (SQ. IN.)	CTN/QTY
683159	WC531NS	5	5	Light Grey – 31	19.6	10
683099	WC545	5	5	Tan – 45	19.6	10
683158	WC545NS	5	5	Tan – 45	19.6	10
683132	WC568/ WC568NS	5	5	Dark Brown – 68	19.6	10
683100	WC601	6	6	Snow White – 01	28.3	10
683107	WC601NS	6	6	Snow White – 01	28.3	10
683136	WC623	6	6	Taupe – 23	28.3	10
683147	WC623NS	6	6	Taupe – 23	28.3	10
683111	WC625	6	6	Black – 25	28.3	10
683141	WC625NS	6	6	Black – 25	28.3	10
683120	WC628	6	6	Dark Grey – 28	28.3	10
683162	WC668	6	6	Dark Brown – 68	28.3	10
683101	WC631/ WC631NS	6	6	Light Grey – 31	28.3	10
683102	WC645/ WC645NS	6	6	Tan – 45	28.3	10
683149	WC628NS	6	6	Dark Grey – 28	28.3	10
683117	WC701/ WC701NS	7	7	Snow White – 01	38.5	18
683137	WC723/ WC723NS	7	7	Taupe – 23	38.5	18
683118	WC731/ WC731NS	7	7	Light Grey – 31	38.5	18
683119	WC745/ WC745NS	7	7	Tan – 45	38.5	18
683238	WC7P	7	7	Primed	38.5	–
683123	WC801/ WC801NS	8	8	Snow White – 01	46.8	18
683138	WC823/ WC823NS	8	8	Taupe – 23	46.8	18
683108	WC825/ WC825NS	8	8	Black – 25	46.8	–
683124	WC831/ WC831NS	8	8	Light Grey – 23	46.8	18
683125	WC845/ WC845NS	8	8	Tan – 45	46.8	18

**NOTE:** All vents come standard with a coarse bird screen.

NS = No Bird Screen

**Colours:** Snow White (01), Light Grey (31), Tan (45), Taupe (23), Dark Brown (68), Black (25), Dark Grey (28)

# PRIMEX VENTING PRODUCTS AND ACCESSORIES

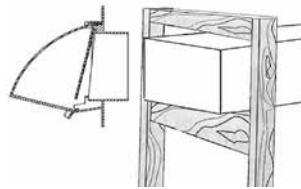
[www.primexfits.com](http://www.primexfits.com)

## WALL VENTS — EXTERIOR (cont'd)

### RANGE HOODS

#### Features

- UV stabilized, polymer resin
- Cut away screen option
- Removable damper
- Adaptable for intake or exhaust applications
- Built in drip edge
- Ideal for use in rain screen systems
- Will not dent or rust



WC310  
Installed Into Ducting



ITEM #	MODEL	COLOUR	FREE AREA (SQ. IN.)	CTN/QTY
<b>3" x 10" Wall Cap Vent — Use with 3" x 10" Register Boot or Slab Duct</b>				
683193	WC31001	Snow White – 01	30.2	18
683194	WC31025	Black – 25	30.2	18
683195	WC31031	Light Grey – 31	30.2	18
683196	WC31045	Tan – 45	30.2	18
683197	WC31068	Dark Brown – 68	30.2	18
<b>3-1/4" x 10" Range Hood Vent — Use with 3-1/4" x 10" Kitchen Transition Boot or Slab Duct</b>				
683188	WC31001K	Snow White – 01	30.2	18
683189	WC31025K	Black – 25	30.2	18
683190	WC31031K	Light Grey – 31	30.2	18
683191	WC31045K	Tan – 45	30.2	18
683192	WC31068K	Dark Brown – 68	30.2	18

**Colours:** Snow White (01), Light Grey (31), Tan (45), Dark Brown (68), Black (25)

## EXHAUST / DRYER VENTS

### DV4 SERIES — DRYER / EXHAUST VENT (NO SCREEN)

#### Features

- Low profile one piece design
- Accommodates 4" ducting
- No leaky seams on the vent hood
- Made from UV stabilized polymer resin



ITEM #	MODEL	DESCRIPTION	DIA (")	COLOUR	FREE AREA (SQ. IN.)	CTN/QTY
683240	DV401	Dryer/Exhaust Vent	4	Snow White – 01	12.6	24
683241	DV423	Dryer/Exhaust Vent	4	Taupe – 23	12.6	24

**Colours:** Snow White (01), Taupe (23)

# PRIMEX VENTING PRODUCTS AND ACCESSORIES

[www.primexfits.com](http://www.primexfits.com)

## INTAKE AND EXHAUST VENTS

### WCD AND WCT SERIES — DOUBLE AND TRIPLE INTAKE AND EXHAUST VENTS

#### Features

- Available with screen or full opening
- Vents can be ordered with or without screen
- Quick and easy to install
- Adaptable for intake or exhaust applications
- Wall cap vents include a drip edge on a flanged base to help guard against rain
- The hood is removable for cleaning or replacement and for line servicing without compromising the “Building Envelope”
- Assembled base
- Removable damper for intake or exhaust applications
- Made with UV protected polymer resin
- Highly resistant to mechanical impact



WCT531 – Light Grey



WCD545 – Tan

ITEM #	MODEL	DESCRIPTION	DIA (")	COLOUR	FREE AREA (SQ. IN.)	CTN/QTY
683270	WCD501	Double Wall Cap	5	Snow White – 01	2 × 19.6	6
683273	WCD523	Double Wall Cap	5	Taupe – 23	2 × 19.6	6
683271	WCD531	Double Wall Cap	5	Light Grey – 31	2 × 19.6	6
683272	WCD545	Double Wall Cap	5	Tan – 45	2 × 19.6	6
683274	WCD601	Double Wall Cap	6	Snow White – 01	3 × 25	6
683277	WCD623	Double Wall Cap	6	Taupe – 23	3 × 25	6
683275	WCD631	Double Wall Cap	6	Light Grey – 31	3 × 25	6
683276	WCD645	Double Wall Cap	6	Tan – 45	3 × 25	6
683278	WCT501	Triple Wall Cap	5	Snow White – 01	2 × 19.6	1
683281	WCT523	Triple Wall Cap	5	Taupe – 23	2 × 19.6	1
683279	WCT531	Triple Wall Cap	5	Light Grey – 31	2 × 19.6	1
683280	WCT545	Triple Wall Cap	5	Tan – 45	2 × 19.6	1
683282	WCT601	Triple Wall Cap	6	Snow White – 01	3 × 25	1
683285	WCT623	Triple Wall Cap	6	Taupe – 23	3 × 25	1
683283	WCT631	Triple Wall Cap	6	Light Grey – 31	3 × 25	1
683284	WCT645	Triple Wall Cap	6	Tan – 45	3 × 25	1

**Colours:** Black (25), Light Grey (31), Snow White (01), Tan (45), Taupe (23)

## PRIMEX VENTING PRODUCTS AND ACCESSORIES

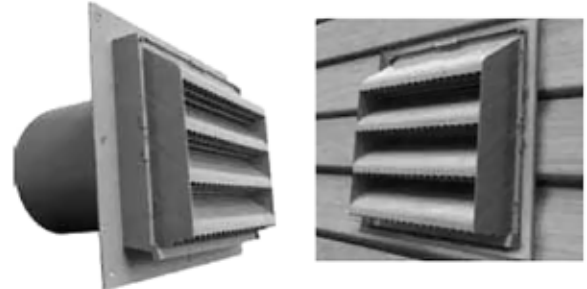
[www.primexfits.com](http://www.primexfits.com)

### INTAKE AND EXHAUST VENTS (cont'd)

#### WCL SERIES — LOW PROFILE INTAKE AND EXHAUST VENT

##### Features

- Attractive low profile design
- Fits 7" or 8" diameter ducts
- Bird screen
- Quick and easy to install
- Adaptable for intake or exhaust applications
- Incorporated drip edge for superior rain water management
- Removable hood for line servicing without disturbing "Building Envelope"
- Molded one piece base
- Removable dampers for intake or exhaust applications
- Made with UV proteted polymer resin
- Highly resistant to mechanical impact



Low Profile Cap

ITEM #	MODEL	DESCRIPTION	DIA (")	COLOUR	FREE AREA (SQ. IN.)	CTN/QTY
683260	WCL701	Low Profile Wall Cap	7	Snow White – 01	38.5	26
683263	WCL723	Low Profile Wall Cap	7	Taupe – 23	38.5	26
683261	WCL731	Low Profile Wall Cap	7	Light Grey – 31	38.5	26
683262	WCL745	Low Profile Wall Cap	7	Tan – 45	38.5	26
683264	WCL801	Low Profile Wall Cap	8	Snow White – 01	50.3	26
683267	WCL823	Low Profile Wall Cap	8	Taupe – 23	50.3	26
683265	WCL831	Low Profile Wall Cap	8	Light Grey – 31	50.3	26
683266	WCL845	Low Profile Wall Cap	8	Tan – 45	50.3	26

**Colours:** Snow White (01), Light Grey (31), Tan (45), Taupe (23)

# PRIMEX VENTING PRODUCTS AND ACCESSORIES

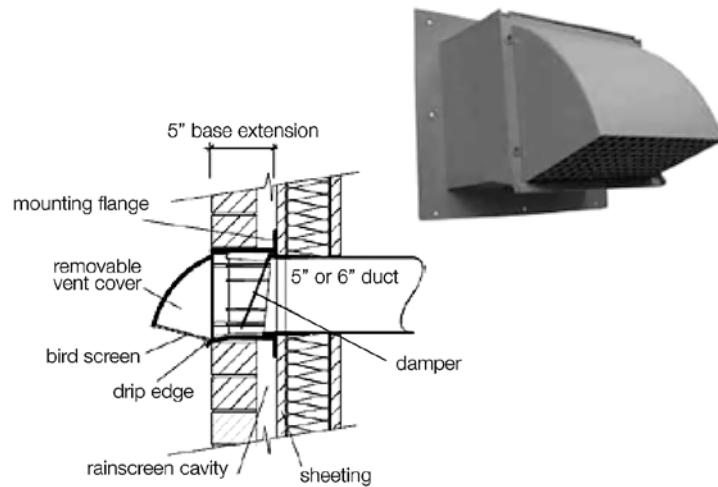
[www.primexfits.com](http://www.primexfits.com)

## EXTENDED WALL CAPS

### WCX — DOME COVER

#### Features

- Molded one piece base
- Incorporated drip edge for superior rain water management
- Suitable for brick and masonry walls
- Built-in bird screen
- Removable hood for line servicing without disturbing "Building Envelope"
- Removable damper for intake applications
- Available in 5" and 6" models
- Easy to install
- Made with UV protected polymer resin
- Highly resistant to mechanical impact



ITEM #	MODEL	DESCRIPTION	DIA (")	COLOUR	FREE AREA (SQ. IN.)	CTN/QTY
683244	WCX501	Extended Wall Cap	5	Snow White – 01	19.6	6
683245	WCX568	Extended Wall Cap	5	Dark Brown – 68	19.6	6
683246	WCX523	Extended Wall Cap	5	Taupe – 23	19.6	6
683247	WCX531	Extended Wall Cap	5	Light Grey – 31	19.6	6
683248	WCX545	Extended Wall Cap	5	Tan – 45	19.6	6
683249	WCX528	Extended Wall Cap	5	Dark Grey – 28	19.6	6
683254	WCX601	Extended Wall Cap	6	Snow White – 01	28.3	6
683255	WCX668	Extended Wall Cap	6	Dark Brown – 68	28.3	6
683256	WCX623	Extended Wall Cap	6	Taupe – 23	28.3	6
683257	WCX631	Extended Wall Cap	6	Light Grey – 31	28.3	6
683258	WCX645	Extended Wall Cap	6	Tan – 45	28.3	6
683259	WCX628	Extended Wall Cap	6	Dark Grey – 28	28.3	6

**Colours:** Dark Brown (68), Light Grey (31), Snow White (01), Tan (45), Taupe (23), Dark Grey (28)

## PRIMEX VENTING PRODUCTS AND ACCESSORIES

[www.primexfits.com](http://www.primexfits.com)

### EXTENDED WALL CAPS (cont'd)

#### WCXF — FLAT COVER

##### Features

- Molded one piece base
- Incorporated drip edge for superior rain water management
- Suitable for brick and masonry walls
- Flat screen for flush mount applications
- Built-in bird screen
- Removable screen for line servicing without disturbing "Building Envelope"
- Removable damper for intake applications
- Available in 5" and 6" models
- Made with UV protected polymer resin
- Highly resistant to mechanical impact
- Easy to install



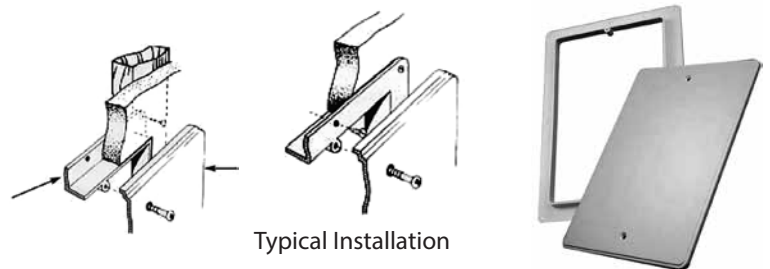
ITEM #	MODEL	DESCRIPTION	DIA (")	COLOUR	FREE AREA (SQ. IN.)	CTN/QTY
683290	WCXF501	Extended Wall Cap	5	Snow White – 01	19.6	9
683291	WCXF568	Extended Wall Cap	5	Dark Brown – 68	19.6	9
683292	WCXF523	Extended Wall Cap	5	Taupe – 23	19.6	9
683293	WCXF531	Extended Wall Cap	5	Light Grey – 31	19.6	9
683294	WCXF545	Extended Wall Cap	5	Tan – 45	19.6	9
683295	WCXF601	Extended Wall Cap	6	Snow White – 01	28.3	9
683296	WCXF668	Extended Wall Cap	6	Dark Brown – 48	28.3	9
683297	WCXF623	Extended Wall Cap	6	Taupe – 23	28.3	9
683298	WCXF631	Extended Wall Cap	6	Light Grey – 31	28.3	9
683299	WCXF645	Extended Wall Cap	6	Tan – 45	28.3	9

**Colours:** Dark Brown (68), Light Grey (31), Snow White (01), Tan (45), Taupe (23)

### ACCESS PANELS

##### Features

- Reversible frame
- 6" x 9" access opening
- Comes with 2 installation screws
- Low profile design – ample room to work in
- Easy installation
- Made from high strength, polymer resin



ITEM #	MODEL	DESCRIPTION	DIA (")	CTN/QTY
683130	AP6X9SW	Access Panel Kit Includes cover and frame	6 x 9	25
C683091	AP6X9	Panel Cover Only Frame not included	6 x 9	25

**Colour:** Snow White (01)

# PRIMEX VENTING PRODUCTS AND ACCESSORIES

www.primexfits.com

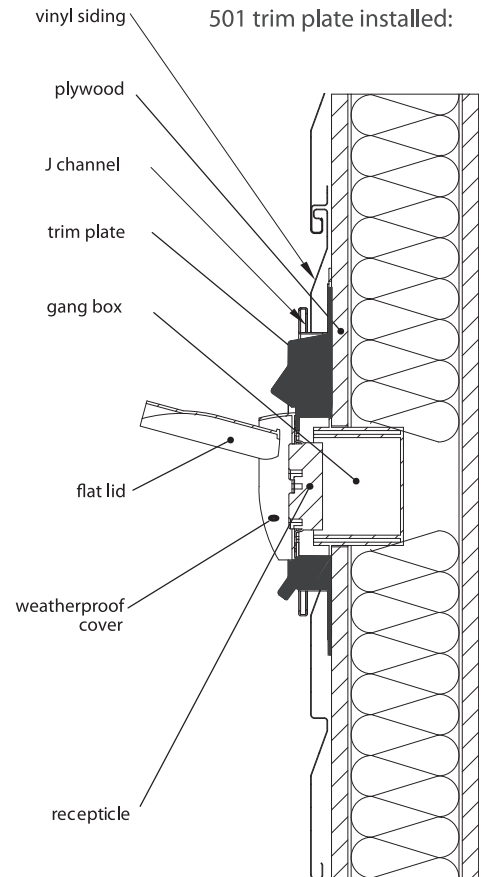
## TRIM PLATES — 501 SERIES

### Features

- Easy installation saves time on the job site and reduces human error
- Eliminates leaky joints and maximizes water protection with one-piece mold and built-in drip edge
- Integrity of the “Building Envelope” is maintained with seamless mold
- Long lasting durability with UV protected, impact resistant, polymer resin
- Ensures watertight installation with over-sized flange
- Reduce injury with no sharp corners or metal edges that can cut or scrape
- Three versions – 501B (blank, custom fit)  
501R (rectangular cut, electrical)  
501T (round, plumbing fixtures)
- Door bells, HVAC Pipes, electrical outlets, water pipes
- 501T available for initial or after tap installation

### Notes and Specs

- 501 Series meets stringent requirements of the Alberta Building code that pertains to the “trimming out” of and building envelope penetrations
- 501 Series has double drip edge



ITEM #	MODEL	DESCRIPTION	SIZE (")	CTN/QTY
683320	501B	Outdoor Bells/Unfinished Outlet	8.5 × 12 × 1.25	20
C683091	501R	Electrical/Other	8.5 × 12 × 1.25	20
C683091	501T	Outdoor Hose Bib	8.5 × 12 × 1.25	20