

GALVANIZED DUCT and ACCESSORIES



ECCO™ is proud to be a member of:



SMACNA
Sheet Metal and Air
Conditioning Contractors'
National Association
www.smacna.org



HRAI
Heating, Refrigeration and
Air Conditioning
Institute of Canada
www.hrai.ca



HARDI
Heating, Air-conditioning
& Refrigeration
Distributors International
www.hardinet.org



ADI
Air
Distribution
Institute
www.steelduct.org



AD
Affiliated Distributors™
www.adhq.com



CME
Canadian
Manufacturers &
Exporters
www.cme-mec.ca



SPIDA
Spiral Duct
Manufacturers
Association
www.spida.org



GALVANIZED DUCT AND ACCESSORIES

INDEX

COLLARS — DUCT TAP-IN	A1-19	ELBOWS — WALL STACK	
DRIVE CLEATS		LONG WAY	
DRIVE.....	A1-20	45° — 2 × 2 THROAT	A1-10
S-CLEATS.....	A1-20	90°.....	A1-10
STANDING S-CLEATS.....	A1-21	SHORT WAY	
DUCT		45°.....	A1-11
BUTTON LOCK — 26 GAUGE	A1-4 – A1-5	90°.....	A1-11
BUTTON LOCK — 28 GAUGE	A1-3 – A1-4	FIRE DAMPER ANGLES.....	A1-21
BUTTON LOCK — 30 GAUGE	A1-3	JOIST LINERS	
CLEAT FOLD — 26 GAUGE.....	A1-5 – A1-6	GALVANIZED (.010).....	A1-22
CLEAT FOLD — 28 GAUGE.....	A1-5	GALVANIZED (.013).....	A1-22
DROP — 26 GAUGE.....	A1-7	PIPE SUPPORTS.....	A1-22
RECTANGULAR — UNASSEMBLED		RETURN AIR	
WEIGHT CHART.....	A1-8 – A1-9	DROP KIT.....	A1-7
WEIGHT CHART INSTRUCTIONS	A1-8	ELBOWS — 26 GAUGE.....	A1-7
DUCT END CAPS.....	A1-11 – A1-12	FRAME.....	A1-22
DUCT HANGER STRAP	A1-22	SHOES	A1-6
DUCT HANGERS.....	A1-21	WALL STACK — 30 GAUGE.....	A1-10
DUCT REDUCERS (UNASSEMBLED)	A1-12	WALL STACK END CAPS	A1-10
DUCT REDUCING PANELS	A1-13		
ELBOWS — DUCT			
LONG WAY			
45°.....	A1-13		
45° — 2 × 2 THROAT (ASSEMBLED).....	A1-15		
45° — 2 × 2 THROAT (UNASSEMBLED)	A1-15		
90°.....	A1-13		
90° — 2 × 2 THROAT (ASSEMBLED).....	A1-17		
90° — 2 × 2 THROAT (UNASSEMBLED)	A1-17		
SHORT WAY			
45°.....	A1-14		
45° — 2 × 2 THROAT (ASSEMBLED).....	A1-16		
45° — 2 × 2 THROAT (UNASSEMBLED)	A1-16		
90°.....	A1-14		
90° — 2 × 2 THROAT (ASSEMBLED).....	A1-18		
90° — 2 × 2 THROAT (UNASSEMBLED)	A1-18		

LEGEND

NOTE: The boxed columns throughout the tables are intended to provide a quick determination of ordering dimensions.

ABBREVIATIONS: CTN/QTY = Carton Quantity
 WT/100 = Weight per 100 Pieces
 WT/100 FT = Weight per 100 Feet
 WT/EA = Weight Each
 FT/BNDL = Feet per Bundle
 PCS/BNDL = Pieces per Bundle
 LGTH/BNDL = Length per Bundle

– E.&O.E. – Subject to Change Without Notice – May Not Be Available At All Locations –

BUTTON LOCK DUCT — 30 GAUGE

4"

ITEM #	SIZE (")	LENGTH/FT	A (")	B (")	C (")	FT/BNDL	WT/100 FT
105630	16 × 4	12	16	4	120	60	226

6"

ITEM #	SIZE (")	LENGTH/FT	A (")	B (")	C (")	FT/BNDL	WT/100 FT
029130	14 × 6	8	14	6	96	80	226
029430	20 × 6	8	20	6	96	80	290
039130	14 × 6	5	14	6	60	50	226

7"

ITEM #	SIZE (")	LENGTH/FT	A (")	B (")	C (")	FT/BNDL	WT/100 FT
030230	10 × 7	8	10	7	96	160	195
030430	14 × 7	8	14	7	96	160	237
040430	14 × 7	5	14	7	60	50	237

8"

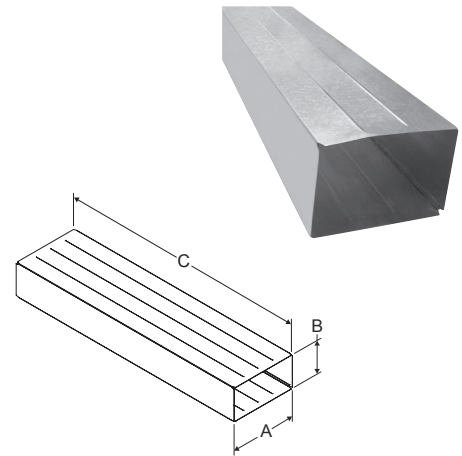
ITEM #	SIZE (")	LENGTH/FT	A (")	B (")	C (")	FT/BNDL	WT/100 FT
040830	8 × 8	5	8	8	60	50	185
030830	8 × 8	8	8	8	96	160	185
040930	10 × 8	5	10	8	60	50	206
030930	10 × 8	8	10	8	96	160	206
041030	12 × 8	5	12	8	60	50	226
031030	12 × 8	8	12	8	96	160	226
041130	14 × 8	5	14	8	60	50	247
031130	14 × 8	8	14	8	96	160	247

10"

ITEM #	SIZE (")	LENGTH/FT	A (")	B (")	C (")	FT/BNDL	WT/100 FT
041230	10 × 10	5	10	10	60	50	226
041830	12 × 10	5	12	10	60	50	247
031830	12 × 10	8	12	10	96	160	247
041930	14 × 10	5	14	10	60	50	268
031930	14 × 10	8	14	10	96	160	268

12"

ITEM #	SIZE (")	LENGTH/FT	A (")	B (")	C (")	FT/BNDL	WT/100 FT
042430	25 × 12	5	25	12	60	50	586



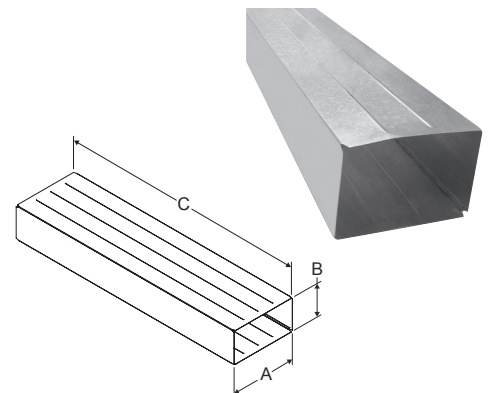
BUTTON LOCK DUCT — 28 GAUGE

5"

ITEM #	SIZE (")	LENGTH/FT	A (")	B (")	C (")	FT/BNDL	WT/100 FT
029528	13 × 5	8	13	5	96	80	257
029628	21 × 5	8	21	5	96	80	361

6"

ITEM #	SIZE (")	LENGTH/FT	A (")	B (")	C (")	FT/BNDL	WT/100 FT
029228	16 × 6	8	16	6	96	80	310



– E.&O.E. – Subject to Change Without Notice – May Not Be Available At All Locations –

BUTTON LOCK DUCT — 28 GAUGE (cont'd)

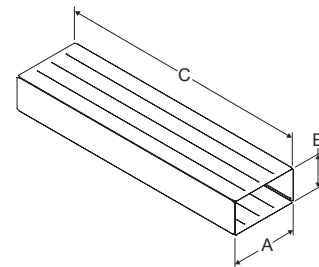
8"

ITEM #	SIZE (")	LENGTH/FT	A (")	B (")	C (")	FT/BNDL	WT/100 FT
030928	10 × 8	8	10	8	96	160	264
031028	12 × 8	8	12	8	96	160	290
041128	14 × 8	5	14	8	60	50	294
031128	14 × 8	8	14	8	96	160	294
041228	16 × 8	5	16	8	60	50	319
031228	16 × 8	8	16	8	96	160	319
041328	18 × 8	5	18	8	60	50	344
031328	18 × 8	8	18	8	96	160	344
041428	20 × 8	5	20	8	60	50	368
031428	20 × 8	8	20	8	96	160	368



10"

ITEM #	SIZE (")	LENGTH/FT	A (")	B (")	C (")	FT/BNDL	WT/100 FT
041828	12 × 10	5	12	10	60	50	298
041928	14 × 10	5	14	10	60	50	319
031928	14 × 10	8	14	10	96	160	319
042028	16 × 10	5	16	10	60	50	344
032028	16 × 10	8	16	10	96	160	344
042128	18 × 10	5	18	10	60	50	368
032128	18 × 10	8	18	10	96	160	361



BUTTON LOCK DUCT — 26 GAUGE

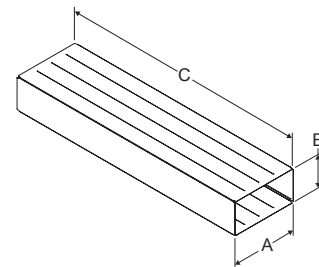
8"

ITEM #	SIZE (")	LENGTH/FT	A (")	B (")	C (")	FT/BNDL	WT/100 FT
041426	20 × 8	5	20	8	60	50	427
041526	22 × 8	5	22	8	60	50	456
031526	22 × 8	8	22	8	96	160	456
041626	24 × 8	5	24	8	60	50	485
031626	24 × 8	8	24	8	96	160	485
041726	25 × 8	5	25	8	60	50	499
041736	26 × 8	5	26	8	60	50	540



9"

ITEM #	SIZE (")	LENGTH (")	A (")	B (")	C (")	LGTH/BNDL	WT/100
042440	26 × 9	40	26	9	40	10	1760/Lgth
042444	26 × 9	44	26	9	44	10	2034/Lgth
042448	26 × 9	48	26	9	48	10	528/Ft



9-1/2"

ITEM #	SIZE (")	LENGTH/FT	A (")	B (")	C (")	FT/BNDL	WT/100 FT
031726	25 × 9-1/2	8	25	9-1/2	96	160	547
041826	25 × 9-1/2	5	25	9-1/2	60	50	547
042466	25 × 9-1/2	4	25	9-1/2	48	40	547
042500	25 × 9-1/2	3	25	9-1/2	36	30	547

– E.&O.E. – Subject to Change Without Notice – May Not Be Available At All Locations –

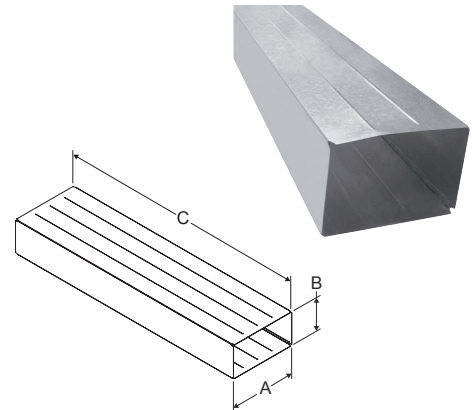
BUTTON LOCK DUCT — 26 GAUGE (cont'd)

10"

ITEM #	SIZE (")	LENGTH/FT	A (")	B (")	C (")	FT/BNDL	WT/100 FT
042226	20 × 10	5	20	10	60	50	456
032226	20 × 10	8	20	10	96	160	456
042326	22 × 10	5	22	10	60	50	485
032326	22 × 10	8	22	10	96	160	485
042426	24 × 10	5	24	10	60	50	513
032426	24 × 10	8	24	10	96	160	513

12"

ITEM #	SIZE (")	LENGTH/FT	A (")	B (")	C (")	FT/BNDL	WT/100 FT
042470	25 × 12	4	25	12	48	40	586



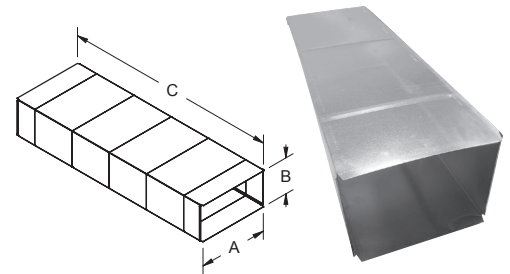
CLEAT FOLD DUCT — 28 GAUGE

8"

ITEM #	SIZE (")	LENGTH/FT	A (")	B (")	C (")	FT/BNDL	WT/100 FT
588808	8 × 8	5	8	8	60	50	232
588810	10 × 8	5	10	8	60	50	258
588812	12 × 8	5	12	8	60	50	284
588814	14 × 8	5	14	8	60	50	310
588816	16 × 8	5	16	8	60	50	336
588818	18 × 8	5	18	8	60	50	362
588820	20 × 8	5	20	8	60	50	388

10"

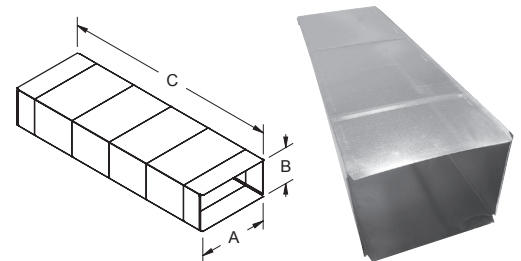
ITEM #	SIZE (")	LENGTH/FT	A (")	B (")	C (")	FT/BNDL	WT/100 FT
589010	10 × 10	5	10	10	60	50	284
589012	12 × 10	5	12	10	60	50	310
589014	14 × 10	5	14	10	60	50	336
589016	16 × 10	5	16	10	60	50	362
589018	18 × 10	5	18	10	60	50	388



CLEAT FOLD DUCT — 26 GAUGE

8"

ITEM #	SIZE (")	LENGTH/FT	A (")	B (")	C (")	FT/BNDL	WT/100 FT
568808	8 × 8	5	8	8	60	50	269
568810	10 × 8	5	10	8	60	50	299
568812	12 × 8	5	12	8	60	50	329
568814	14 × 8	5	14	8	60	50	360
568816	16 × 8	5	16	8	60	50	390
568818	18 × 8	5	18	8	60	50	420
568820	20 × 8	5	20	8	60	50	450
568822	22 × 8	5	22	8	60	50	480
568824	24 × 8	5	24	8	60	50	511
568830	30 × 8	5	30	8	60	50	601

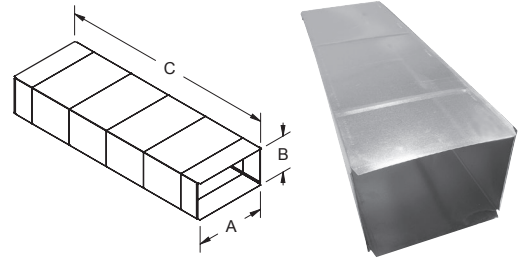


— E.&O.E. — Subject to Change Without Notice — May Not Be Available At All Locations —

CLEAT FOLD DUCT — 26 GAUGE (cont'd)

10"

ITEM #	SIZE (")	LENGTH/FT	A (")	B (")	C (")	FT/BNDL	WT/100 FT
569010	10 × 10	5	10	10	60	50	330
569012	12 × 10	5	12	10	60	50	360
569014	14 × 10	5	14	10	60	50	390
569016	16 × 10	5	16	10	60	50	420
569018	18 × 10	5	18	10	60	50	450
569020	20 × 10	5	20	10	60	50	480
569022	22 × 10	5	22	10	60	50	511
569024	24 × 10	5	24	10	60	50	541
569025	25 × 10	5	25	10	60	50	556
569026	26 × 10	5	26	10	60	50	570
569030	30 × 10	5	30	10	60	50	631



12"

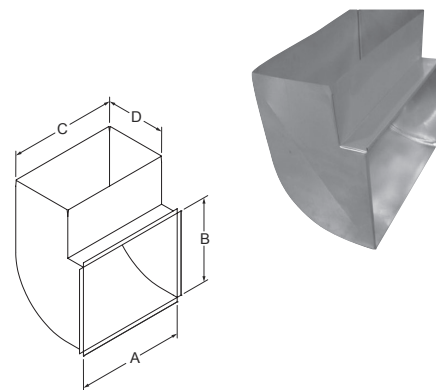
ITEM #	SIZE (")	LENGTH/FT	A (")	B (")	C (")	FT/BNDL	WT/100 FT
569124	24 × 12	5	25	12	60	50	570
569125	25 × 12	5	25	12	60	50	585

Miscellaneous Sizes

ITEM #	SIZE (")	LENGTH/FT	A (")	B (")	C (")	FT/BNDL	WT/100 FT
569314	14 × 3-1/4	5	14	3-1/4	60	50	220
569240	14 × 14	5	14	14	60	50	450
569250	16 × 16	5	16	16	60	50	511
569280	13-1/2 × 20	5	13-1/2	20	60	50	533
569285	16 × 20	5	16	20	60	50	579
569290	16-1/2 × 20	5	16-1/2	20	60	50	579
569246	20 × 14	5	20	14	60	50	512
569296	20 × 20	5	20	20	60	50	632
569300	23-1/2 × 20	5	23-1/2	20	60	50	684

RETURN AIR SHOES

ITEM #	SIZE (")	A (")	B (")	C (")	D (")	CTN/QTY	WT/100
050494	19 × 19 to 20 × 10	19	19	20	10	5	1050
050510	22 × 14 to 24 × 8	22	14	24	8	5	1050
050518	22-1/2 × 14-1/2 to 24 × 10	22-1/2	14-1/2	24	10	5	1080
050504	23-1/2 × 15 to 18 × 10	23-1/2	15	18	10	5	1050
050505	23-1/2 × 15 to 20 × 10	23-1/2	15	20	10	5	1050
050506	23-1/2 × 15 to 22 × 10	23-1/2	15	22	10	5	1050
050500	23-1/2 × 15 to 24 × 8	23-1/2	15	24	8	5	1080
050507	23-1/2 × 15 to 24 × 10	23-1/2	15	24	10	5	1050
050508	23-1/2 × 15 to 24 × 12	23-1/2	15	24	12	5	1080
050509	23-1/2 × 15 to 25 × 10	23-1/2	15	25	10	5	1037
050502	23-1/2 × 18-1/2 to 24 × 8	23-1/2	18-1/2	24	8	5	1080
050503	23-1/2 × 18-1/2 to 24 × 10	23-1/2	18-1/2	24	10	5	935
050520	24 × 14 to 24 × 10	24	14	24	10	5	1080
050525	25 × 15-1/2 to 24 × 8	25	15-1/2	24	8	5	900
050526	25 × 15-1/2 to 24 × 10	25	15-1/2	24	10	5	945



— E.&O.E. — Subject to Change Without Notice — May Not Be Available At All Locations —

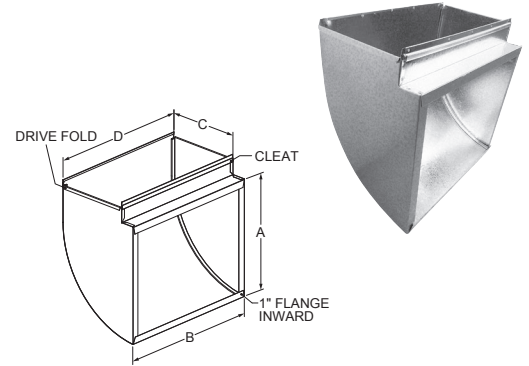


GALVANIZED DUCT AND ACCESSORIES

RETURN AIR ELBOWS — 26 GAUGE

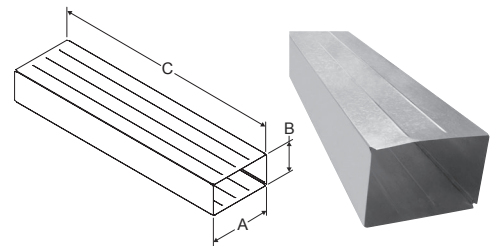
ITEM #	SIZE (")	A (")	B (")	C (")	D (")	CTN/QTY	WT/100
050550	16 × 20 to 10 × 20	16	20	10	20	*	1060
050560	16 × 25 to 10 × 25	16	25	10	25	*	1230
050554	20 × 20 to 10 × 20	20	20	10	20	*	1210
050564	20 × 25 to 10 × 25	20	25	10	25	*	1370

*Product shipped individually.



DROP DUCT — 26 GAUGE

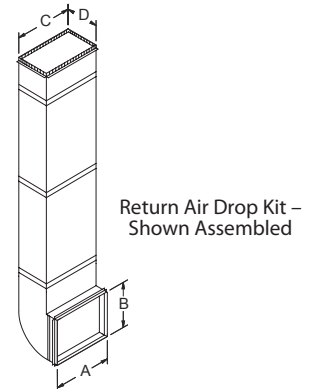
ITEM #	SIZE (")	LENGTH (")	A (")	B (")	C (")	BNDL/QTY	WT/100 FT
042926	24 × 8	84	24	8	84	40pcs = 20 lengths	3388
042726	24 × 10	76	24	10	76	40pcs = 20 lengths	3248
042526	25 × 8	76	25	8	76	40pcs = 20 lengths	3157



RETURN AIR DROP KIT

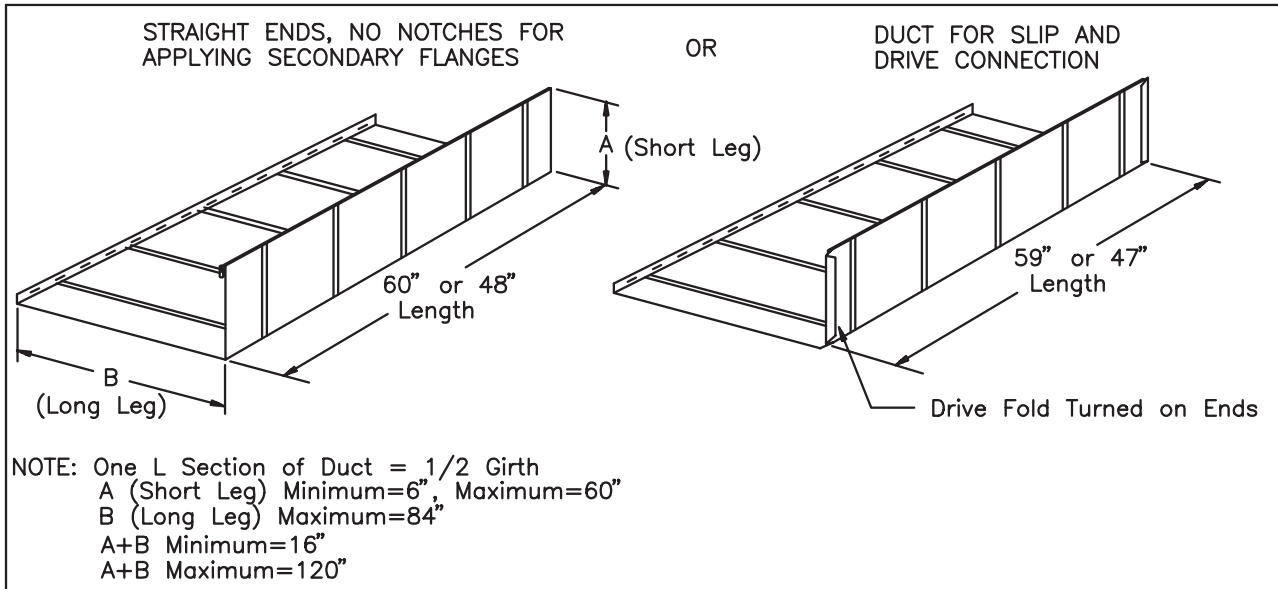
ITEM #	SIZE (")	A (")	B (")	C (")	D (")	CTN/QTY	WT/100
050540	20 × 16 to 20 × 10 Drop Kit	20	16	20	10	1	3000
050543	25 × 14 to 25 × 10 Drop Kit	25	14	25	10	1	3400
050544	25 × 16 to 25 × 10 Drop Kit	25	16	25	10	1	3500

- NOTE:** Each Return Air Drop Kit includes:
- 1 – Return Air Shoe c/w Filter Frame
 - 1 – Duct Tap-In Collar
 - 1 – Flexible Duct Connector
 - 2 – Pieces of Drop Duct 28" Long
 - S-Cleats and Drive Cleats



– E.&O.E. – Subject to Change Without Notice – May Not Be Available At All Locations –

RECTANGULAR DUCT — UNASSEMBLED



WEIGHT CHART INSTRUCTIONS

- Find weight for duct size: 20" x 10" — 24 gauge. 20" + 10" = 30" therefore under "DUCT SIZE" column (1/2 of Girth) = 30. Under 24 gauge column weight = 6.13 lbs/ft.
- Find duct liner requirement per foot of 20" x 10" duct. 20" + 10" = 30" therefore under "DUCT SIZE" column (1/2 of Girth) = 30. Under "SURFACE AREA NO. OF SQ.FT. PER LINEAR FOOT" column = 5.00 sq.ft. per Linear Foot of Duct.

NOTE: Actual inside dimensions of duct after 1" Linacoustic Insulation is installed = 8" x 8", therefore care must be taken to size duct accordingly.

WEIGHT CHART

16	2.67	2.32	2.69	3.43	4.17	4.92	6.40
18	3.00	2.58	2.99	3.82	4.64	5.47	7.12
20	3.33	2.84	3.29	4.20	5.11	6.02	7.84
22	3.67	3.10	3.60	4.59	5.58	6.57	8.56
24	4.00	3.36	3.90	4.97	6.05	7.12	9.27
26	4.33	3.62	4.20	5.36	6.52	7.68	9.99
28	4.67	3.88	4.50	5.74	6.99	8.23	10.71
30	5.00	4.14	4.80	6.13	7.45	8.78	11.43
32	5.33	4.40	5.11	6.51	7.92	9.33	12.15
34	5.67	4.66	5.41	6.90	8.39	9.88	12.87
36	6.00	4.92	5.71	7.29	8.86	10.44	13.59
38	6.33	5.18	6.01	7.67	9.33	10.99	14.30

(cont'd on next page)



GALVANIZED DUCT AND ACCESSORIES

RECTANGULAR DUCT — UNASSEMBLED (cont'd)

WEIGHT CHART (cont'd)

40	6.67	5.44	6.31	8.06	9.80	11.54	15.02
42	7.00	5.70	6.62	8.44	10.27	12.09	15.74
44	7.33	5.96	6.92	8.83	10.74	12.64	16.46
46	7.67	6.22	7.22	9.21	11.20	13.20	17.18
48	8.00	6.48	7.52	9.60	11.67	13.75	17.90
50	8.33	6.74	7.82	9.98	12.14	14.30	18.62
52	8.67	7.01	8.13	10.37	12.61	14.85	19.33
54	9.00	7.27	8.43	10.75	13.08	15.40	20.05
56	9.33	7.53	8.73	11.14	13.55	15.96	20.77
58	9.67	7.79	9.03	11.52	14.02	16.51	21.49
60	10.00	8.05	9.33	11.91	14.48	17.06	22.21
62	10.33	8.31	9.64	12.29	14.95	17.61	22.93
64	10.67	8.57	9.94	12.68	15.42	18.16	23.65
66	11.00	8.83	10.24	13.07	15.89	18.72	24.36
68	11.33	9.09	10.54	13.45	16.36	19.27	25.08
70	11.67	9.35	10.84	13.84	16.83	19.82	25.80
72	12.00	9.61	11.15	14.22	17.30	20.37	26.52
74	12.33	9.87	11.45	14.61	17.77	20.92	27.24
76	12.67	10.13	11.75	14.99	18.23	21.48	27.96
78	13.00	10.39	12.05	15.38	18.70	22.03	28.68
80	13.33	10.65	12.35	15.76	19.17	22.58	29.39
82	13.67	10.91	12.66	16.15	19.64	23.13	30.11
84	14.00	11.17	12.96	16.53	20.11	23.68	30.83
86	14.33	11.43	13.26	16.92	20.58	24.24	31.55
88	14.67	11.69	13.56	17.30	21.05	24.79	32.27
90	15.00	11.95	13.86	17.69	21.51	25.34	32.99
92	15.33	12.21	14.17	18.08	21.98	25.89	33.70
94	15.67	12.47	14.47	18.46	22.45	26.44	34.42
96	16.00	12.73	14.77	18.85	22.92	27.00	35.14
98	16.33	12.99	15.07	19.23	23.39	27.55	35.86
100	16.67	13.25	15.37	19.62	23.86	28.10	36.58
102	17.00	13.51	15.68	20.00	24.33	28.65	37.30
104	17.33	13.77	15.98	20.39	24.80	29.20	38.02
106	17.67	14.03	16.28	20.77	25.26	29.76	38.73
108	18.00	14.29	16.58	21.16	25.73	30.31	39.45
110	18.33	14.56	16.88	21.54	26.20	30.86	40.17
112	18.67	14.82	17.19	21.93	26.67	31.41	40.89
114	19.00	15.08	17.49	22.31	27.14	31.96	41.61
116	19.33	15.34	17.79	22.70	27.61	32.52	42.33
118	19.67	15.60	18.00	23.08	28.08	33.07	43.05
120	20.00	15.86	18.39	23.47	28.55	33.62	43.76

– E.&O.E. – Subject to Change Without Notice – May Not Be Available At All Locations –

WALL STACK — 30 GAUGE

10"

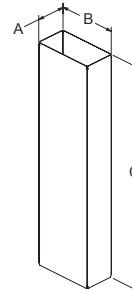
ITEM #	SIZE (")	LENGTH/FT	A (")	B (")	C (")	FT/BNDL	WT/100 FT
102730	3-1/4 × 10	3	3-1/4	10	36	45	152
102735	3-1/4 × 10	5	3-1/4	10	60	75	152
102738	3-1/4 × 10	8	3-1/4	10	96	120	152

12"

ITEM #	SIZE (")	LENGTH/FT	A (")	B (")	C (")	FT/BNDL	WT/100 FT
102740	2-1/4 × 12	5	2-1/4	12	60	75	167
102750	3-1/4 × 12	3	3-1/4	12	36	45	177
102755	3-1/4 × 12	5	3-1/4	12	60	75	177
102758	3-1/4 × 12	8	3-1/4	12	96	120	177

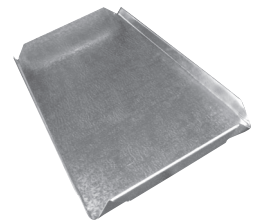
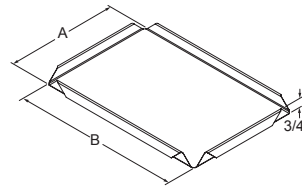
14"

ITEM #	SIZE (")	LENGTH/FT	A (")	B (")	C (")	FT/BNDL	WT/100 FT
102760	3-1/4 × 14	3	3-1/4	14	36	45	198
102765	3-1/4 × 14	5	3-1/4	14	60	75	198
102768	3-1/4 × 14	8	3-1/4	14	96	120	198



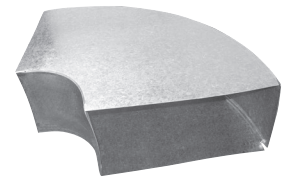
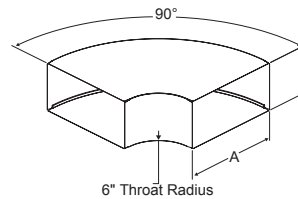
WALL STACK END CAPS

ITEM #	SIZE (")	A (")	B (")	PCS/BNDL	WT/100
103000	2-1/4 × 12	2-1/4	12	10	23
103100	3-1/4 × 10	3-1/4	10	10	21
103102	3-1/4 × 12	3-1/4	12	10	25
103104	3-1/4 × 14	3-1/4	14	10	29



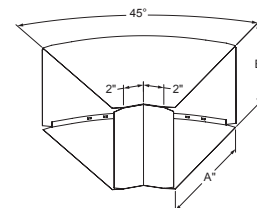
WALL STACK ELBOWS LONG WAY 90°

ITEM #	SIZE (")	A (")	B (")	CTN/QTY	WT/100
103500	3-1/4 × 10	10	3-1/4	10	210
103502	3-1/4 × 12	12	3-1/4	10	260
103504	3-1/4 × 14	14	3-1/4	10	300



WALL STACK ELBOWS LONG WAY 45° — 2 × 2 THROAT

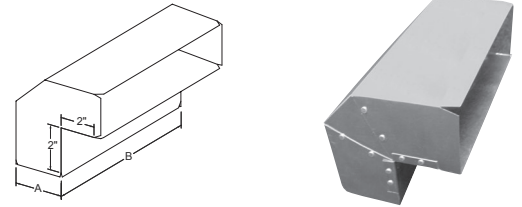
ITEM #	SIZE (")	A (")	B (")	CTN/QTY	WT/100
103650	3-1/4 × 10	10	3-1/4	10	144
103652	3-1/4 × 12	12	3-1/4	10	176
103654	3-1/4 × 14	14	3-1/4	10	205



— E.&O.E. — Subject to Change Without Notice — May Not Be Available At All Locations —

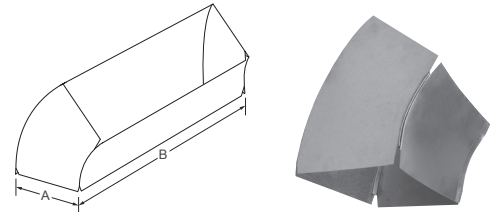
WALL STACK ELBOWS SHORT WAY 90°

ITEM #	SIZE (")	A (")	B (")	CTN/QTY	WT/100
103700	3-1/4 × 10	3-1/4	10	10	100
103702	3-1/4 × 12	3-1/4	12	10	130
103704	3-1/4 × 14	3-1/4	14	10	150



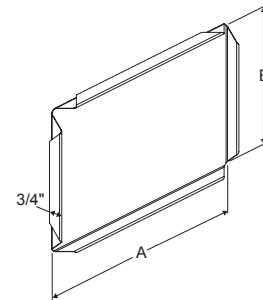
WALL STACK ELBOWS SHORT WAY 45°

ITEM #	SIZE (")	A (")	B (")	CTN/QTY	WT/100
103800	3-1/4 × 10	3-1/4	10	10	70
103802	3-1/4 × 12	3-1/4	12	10	75



DUCT END CAPS

ITEM #	SIZE (")	A (")	B (")	PCS/BNDL	WT/100
043008	10 × 4 (2 sided)	10	4	10	42
043014	16 × 4 (2 sided)	16	4	10	72
043500	8 × 8	8	8	10	34
043200	10 × 7	10	7	10	37
043600	10 × 8	10	8	10	42
044450	10 × 10	10	10	10	62
043700	12 × 8	12	8	10	49
044500	12 × 10	12	10	10	72
043114	14 × 6	14	6	10	57
043400	14 × 7	14	7	10	51
043800	14 × 8	14	8	10	57
044600	14 × 10	14	10	10	83
043016	16 × 4	16	4	10	72
043116	16 × 6	16	6	10	93
043900	16 × 8	16	8	10	64
044700	16 × 10	16	10	10	93
046600	16 × 16	16	16	10	200
044000	18 × 8	18	8	10	104
044800	18 × 10	18	10	10	104
043120	20 × 6	20	6	10	109
044100	20 × 8	20	8	10	109
044900	20 × 10	20	10	10	135
047665	20 × 16	20	16	10	256
044200	22 × 8	22	8	10	120
045000	22 × 10	22	10	10	148
044300	24 × 8	24	8	10	130
045100	24 × 10	24	10	10	160
046200	24 × 12	24	12	10	196
046400	24 × 14	24	14	10	226
044400	25 × 8	25	8	10	138
044448	25 × 9-1/2	25	9-1/2	10	200
045150	25 × 10	25	10	10	200
044449	25 × 12	25	12	10	205
044410	26 × 8	26	8	10	150
044447	26 × 9	26	9	10	200
044430	30 × 8	30	8	10	200
045400	30 × 10	30	10	10	270



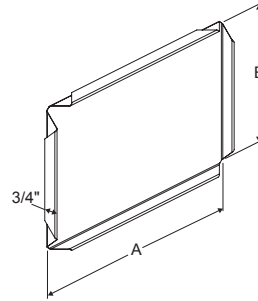
- E.&O.E. - Subject to Change Without Notice - May Not Be Available At All Locations -



GALVANIZED DUCT AND ACCESSORIES

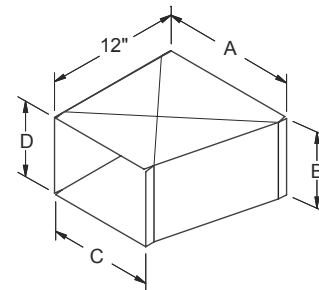
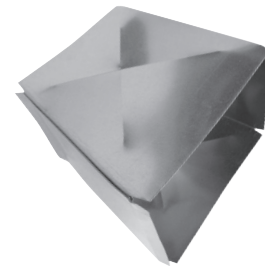
DUCT END CAPS — 26 GAUGE

ITEM #	SIZE (")	A (")	B (")	PCS/BNDL	WT/100
047660	14 x 20	14	20	10	221
047670	16-1/2 x 20	16-1/2	20	10	256



DUCT REDUCERS (UNASSEMBLED)

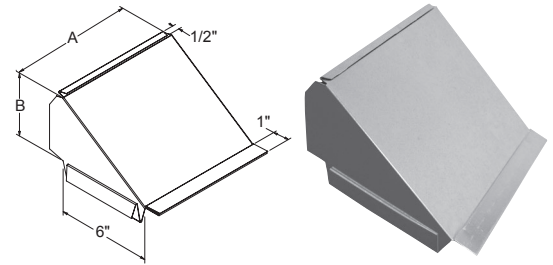
ITEM #	SIZE (")	A (")	B (")	C (")	D (")	CTN/QTY	WT/100
033810	21 x 5 - 13 x 5	21	5	13	5	10	314
033830	13 x 5 - 8 x 5	13	5	8	5	10	223
032470	24 x 8 - 20 x 8	24	8	20	8	10	450
032480	20 x 8 - 18 x 8	20	8	18	8	10	370
032482	20 x 8 - 16 x 8	20	8	16	8	10	370
032484	20 x 8 - 14 x 8	20	8	14	8	10	405
032500	18 x 8 - 16 x 8	18	8	16	8	10	350
032600	18 x 8 - 14 x 8	18	8	14	8	10	330
032700	18 x 8 - 12 x 8	18	8	12	8	10	320
032800	16 x 8 - 14 x 8	16	8	14	8	10	310
032900	16 x 8 - 12 x 8	16	8	12	8	10	300
033000	16 x 8 - 10 x 8	16	8	10	8	10	290
033100	14 x 8 - 12 x 8	14	8	12	8	10	280
033200	14 x 8 - 10 x 8	14	8	10	8	10	270
033300	14 x 8 - 8 x 8	14	8	8	8	10	265
033400	12 x 8 - 10 x 8	12	8	10	8	10	260
033500	12 x 8 - 8 x 8	12	8	8	8	10	250
033600	10 x 8 - 8 x 8	10	8	8	8	10	240
033610	24 x 10 - 24 x 8	24	10	24	8	10	469
033620	24 x 12 - 24 x 10	24	12	24	10	10	489
033630	24 x 10 - 20 x 10	24	10	20	10	10	469
033640	20 x 10 - 18 x 10	20	10	18	10	10	380
033650	18 x 10 - 16 x 10	18	10	16	10	10	370
033652	18 x 10 - 14 x 10	18	10	14	10	10	360
033660	16 x 10 - 14 x 10	16	10	14	10	10	345
033670	14 x 10 - 12 x 10	14	10	10	10	10	315
033680	12 x 10 - 10 x 10	12	10	10	10	10	265



-E.&O.E. - Subject to Change Without Notice - May Not Be Available At All Locations -

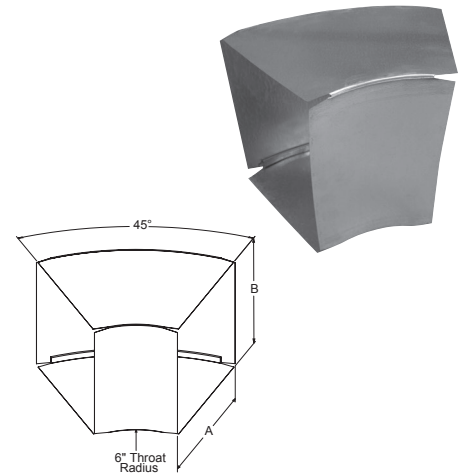
DUCT REDUCING PANELS

ITEM #	DESCRIPTION	A (")	B (")	CTN/QTY	WT/100
034002	2" Reducing Panel – 8" Duct	8	2	20	62
034004	4" Reducing Panel – 8" Duct	8	4	20	68
034006	6" Reducing Panel – 8" Duct	8	6	20	74
034008	8" Reducing Panel – 8" Duct	8	8	20	88
034003	2" Reducing Panel – 10" Duct	10	2	20	149
034005	4" Reducing Panel – 10" Duct	10	4	20	164



DUCT ELBOWS LONG WAY 45°

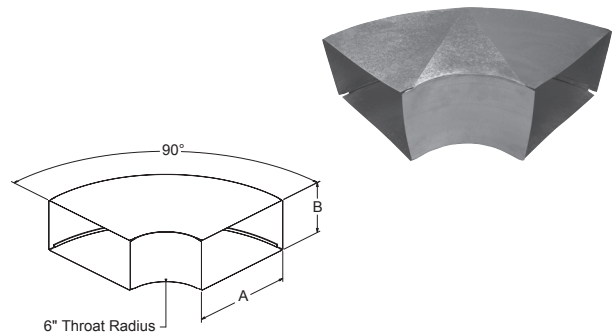
ITEM #	SIZE (")	A (")	B (")	CTN/QTY	WT/100
022400	8 × 8	8	8	5	190
022500	10 × 8	10	8	5	240
022600	12 × 8	12	8	5	280
022700	14 × 8	14	8	5	330
022800	16 × 8	16	8	5	380
022900	18 × 8	18	8	5	490
023000	20 × 8	20	8	5	590
023100	22 × 8	22	8	*	690
023200	24 × 8	24	8	*	730
027212	12 × 10	12	10	5	294
027214	14 × 10	14	10	5	347
027216	16 × 10	16	10	5	399
027218	18 × 10	18	10	5	514
027220	20 × 10	20	10	5	620



*Product shipped individually.

DUCT ELBOWS LONG WAY 90°

ITEM #	SIZE (")	A (")	B (")	CTN/QTY	WT/100
020800	8 × 8	8	8	5	360
020900	10 × 8	10	8	5	420
021000	12 × 8	12	8	5	480
021100	14 × 8	14	8	5	550
021200	16 × 8	16	8	5	660
021300	18 × 8	18	8	5	780
021400	20 × 8	20	8	5	890
021500	22 × 8	22	8	*	1000
021600	24 × 8	24	8	*	1100
027012	12 × 10	12	10	5	504
027014	14 × 10	14	10	5	578
027016	16 × 10	16	10	5	693
027018	18 × 10	18	10	5	819
027020	20 × 10	20	10	5	934
027022	22 × 10	22	10	*	1050
027024	24 × 10	24	10	*	1164



*Product shipped individually.

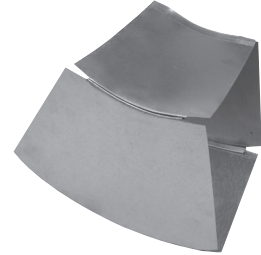
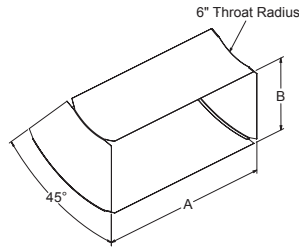
– E.&O.E. – Subject to Change Without Notice – May Not Be Available At All Locations –



GALVANIZED DUCT AND ACCESSORIES

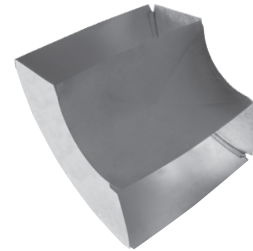
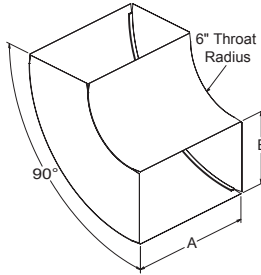
DUCT ELBOWS SHORT WAY 45°

ITEM #	SIZE (")	A (")	B (")	CTN/QTY	WT/100
025700	10 × 8	10	8	5	195
025800	12 × 8	12	8	5	200
025900	14 × 8	14	8	5	210
026000	16 × 8	16	8	5	220
026100	18 × 8	18	8	5	230
026200	20 × 8	20	8	5	250
026300	22 × 8	22	8	10	270
026400	24 × 8	24	8	10	310
027312	12 × 10	12	10	5	210
027314	14 × 10	14	10	5	221
027316	16 × 10	16	10	5	231
027318	18 × 10	18	10	5	242
027320	20 × 10	20	10	5	263



DUCT ELBOWS SHORT WAY 90°

ITEM #	SIZE (")	A (")	B (")	CTN/QTY	WT/100
024100	10 × 8	10	8	5	320
024200	12 × 8	12	8	5	350
024300	14 × 8	14	8	5	380
024400	16 × 8	16	8	5	410
024500	18 × 8	18	8	5	450
024600	20 × 8	20	8	5	500
024700	22 × 8	22	8	*	550
024800	24 × 8	24	8	*	620
027120	20 × 10	20	10	5	540
027124	24 × 10	24	10	10	660



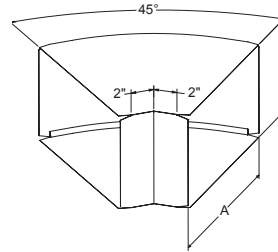
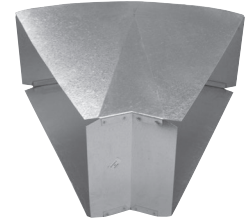
*Product shipped individually.

- E.&O.E. - Subject to Change Without Notice - May Not Be Available At All Locations -

DUCT ELBOWS LONG WAY 45° — 2 × 2 THROAT (UNASSEMBLED)

ITEM #	SIZE (")	A (")	B (")	CTN/QTY	WT/100
022410	8 × 8	8	8	10	170
022510	10 × 8	10	8	10	220
022610	12 × 8	12	8	10	260
022710	14 × 8	14	8	10	310
022810	16 × 8	16	8	10	360
022910	18 × 8	18	8	10	470
023010	20 × 8	20	8	*	570
023110	22 × 8	22	8	*	670
023210	24 × 8	24	8	*	800
023510	30 × 8	30	8	*	1100
027211	10 × 10	10	10	10	240
027213	12 × 10	12	10	10	280
027215	14 × 10	14	10	10	330
027217	16 × 10	16	10	10	380
027219	18 × 10	18	10	10	490
027221	20 × 10	20	10	10	590
027223	22 × 10	22	10	10	690
027225	24 × 10	24	10	5	730
027227	26 × 10	26	10	5	860
027229	28 × 10	28	10	*	980
027231	30 × 10	30	10	*	1100

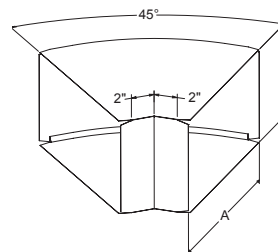
*Product shipped individually.



DUCT ELBOWS LONG WAY 45° — 2 × 2 THROAT (ASSEMBLED)

ITEM #	SIZE (")	A (")	B (")	CTN/QTY	WT/100
020208	8 × 8	8	8	*	170
020210	10 × 8	10	8	*	220
020212	12 × 8	12	8	*	260
020214	14 × 8	14	8	*	310
020216	16 × 8	16	8	*	360
020218	18 × 8	18	8	*	470
023010	20 × 8	20	8	*	570
023110	22 × 8	22	8	*	670
023210	24 × 8	24	8	*	800
023510	30 × 8	30	8	*	1100
020310	10 × 10	10	10	*	240
020312	12 × 10	12	10	*	280
020314	14 × 10	14	10	*	330
020316	16 × 10	16	10	*	380
020318	18 × 10	18	10	*	490
020320	20 × 10	20	10	*	590
020322	22 × 10	22	10	*	690
020324	24 × 10	24	10	*	730
020326	26 × 10	26	10	*	860
027229	28 × 10	28	10	*	980
027231	30 × 10	30	10	*	1100

*Product shipped individually.

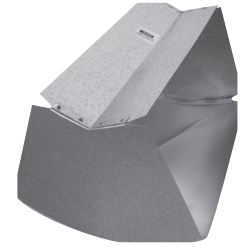
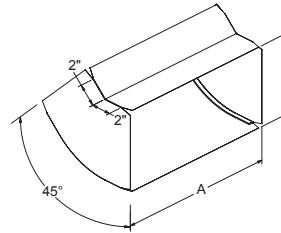




GALVANIZED DUCT AND ACCESSORIES

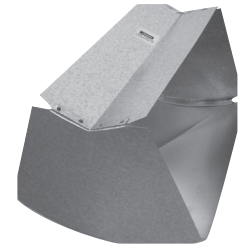
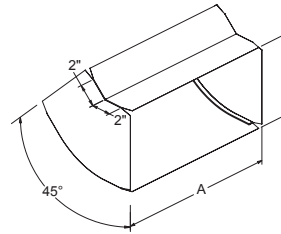
DUCT ELBOWS SHORT WAY 45° — 2 × 2 THROAT (UNASSEMBLED)

ITEM #	SIZE (")	A (")	B (")	CTN/QTY	WT/100
025710	10 × 8	10	8	10	175
025810	12 × 8	12	8	10	180
025910	14 × 8	14	8	10	190
026010	16 × 8	16	8	10	200
026110	18 × 8	18	8	10	210
026210	20 × 8	20	8	10	230
026310	22 × 8	22	8	10	250
026410	24 × 8	24	8	10	270
026610	28 × 8	28	8	10	320
026710	30 × 8	30	8	10	350
027315	14 × 10	14	10	10	221
027319	18 × 10	18	10	10	490
027321	20 × 10	20	10	10	590
027325	24 × 10	24	10	10	730



DUCT ELBOWS SHORT WAY 45° — 2 × 2 THROAT (ASSEMBLED)

ITEM #	SIZE (")	A (")	B (")	CTN/QTY	WT/100
020610	10 × 8	10	8	*	175
020612	12 × 8	12	8	*	180
020614	14 × 8	14	8	*	190
020616	16 × 8	16	8	*	200
020618	18 × 8	18	8	*	210
020620	20 × 8	20	8	*	230
020622	22 × 8	22	8	*	250
020624	24 × 8	24	8	*	270
020628	28 × 8	28	8	*	320
020630	30 × 8	30	8	*	350
020714	14 × 10	14	10	*	221
020718	18 × 10	18	10	*	490
020720	20 × 10	20	10	*	590
020724	24 × 10	24	10	*	730

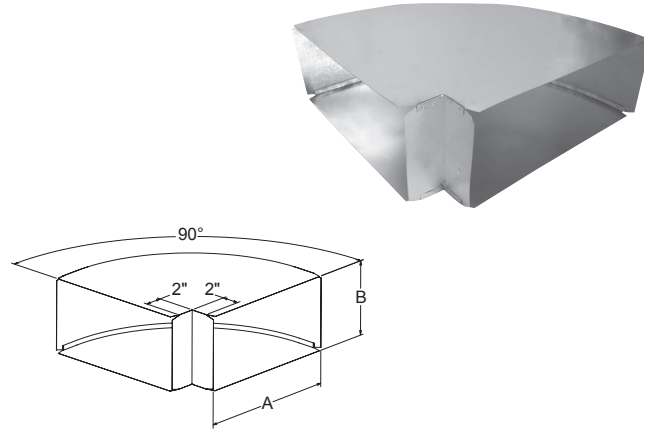


*Product shipped individually.

– E.&O.E. – Subject to Change Without Notice – May Not Be Available At All Locations –

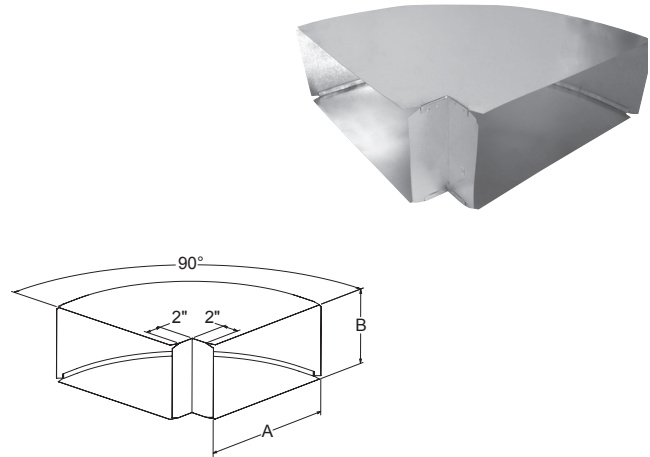
DUCT ELBOWS LONG WAY 90° — 2 × 2 THROAT (UNASSEMBLED)

ITEM #	SIZE (")	A (")	B (")	CTN/QTY	WT/100
020810	8 × 8	8	8	10	320
020910	10 × 8	10	8	10	380
021010	12 × 8	12	8	10	440
021110	14 × 8	14	8	10	510
021210	16 × 8	16	8	10	620
021310	18 × 8	18	8	5	740
021410	20 × 8	20	8	5	850
021610	24 × 8	24	8	5	1090
021910	30 × 8	30	8	5	1610
027011	10 × 10	10	10	10	420
027013	12 × 10	12	10	10	480
027015	14 × 10	14	10	10	550
027017	16 × 10	16	10	5	660
027019	18 × 10	18	10	5	780
027021	20 × 10	20	10	5	890



DUCT ELBOWS LONG WAY 90° — 2 × 2 THROAT (ASSEMBLED)

ITEM #	SIZE (")	A (")	B (")	CTN/QTY	WT/100
020008	8 × 8	8	8	*	320
020010	10 × 8	10	8	*	380
020012	12 × 8	12	8	*	440
020014	14 × 8	14	8	*	510
020016	16 × 8	16	8	*	620
020018	18 × 8	18	8	*	740
020020	20 × 8	20	8	*	850
020024	24 × 8	24	8	*	1090
020030	30 × 8	30	8	*	1610
020110	10 × 10	10	10	*	420
020112	12 × 10	12	10	*	480
020114	14 × 10	14	10	*	550
020116	16 × 10	16	10	*	660
020118	18 × 10	18	10	*	780
020120	20 × 10	20	10	*	890
027023	22 × 10	22	10	*	1000
027025	24 × 10	24	10	*	1100
027027	26 × 10	26	10	*	1280
027029	28 × 10	28	10	*	1460
027031	30 × 10	30	10	*	1650



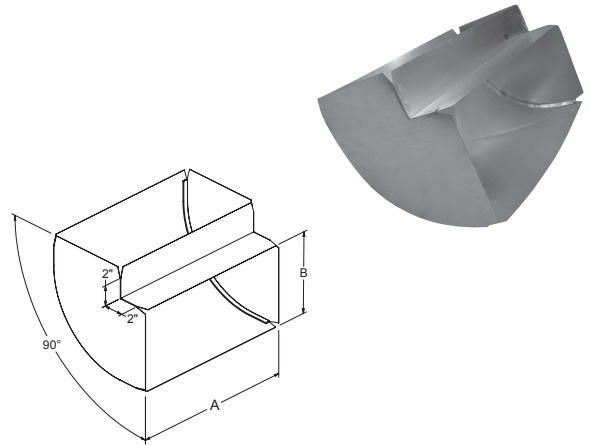
*Product shipped individually.



GALVANIZED DUCT AND ACCESSORIES

DUCT ELBOWS SHORT WAY 90° — 2 × 2 THROAT (UNASSEMBLED)

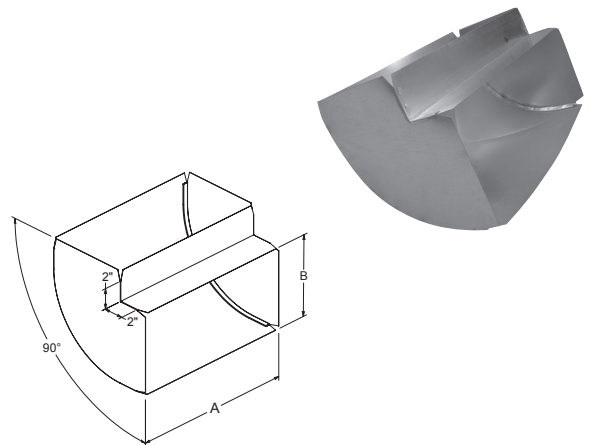
ITEM #	SIZE (")	A (")	B (")	CTN/QTY	WT/100
024110	10 × 8	10	8	10	280
024210	12 × 8	12	8	10	310
024310	14 × 8	14	8	10	340
024410	16 × 8	16	8	10	370
024510	18 × 8	18	8	10	410
024610	20 × 8	20	8	10	460
024710	22 × 8	22	8	10	510
024810	24 × 8	24	8	10	560
025110	30 × 8	30	8	10	720
027113	12 × 10	12	10	10	325
027115	14 × 10	14	10	10	357
027117	16 × 10	16	10	10	389
027119	18 × 10	18	10	10	431
027121	20 × 10	20	10	10	520
027134	24 × 10	24	10	*	610



*Product shipped individually.

DUCT ELBOWS SHORT WAY 90° — 2 × 2 THROAT (ASSEMBLED)

ITEM #	SIZE (")	A (")	B (")	CTN/QTY	WT/100
020410	10 × 8	10	8	*	280
020412	12 × 8	12	8	*	310
020414	14 × 8	14	8	*	340
020416	16 × 8	16	8	*	370
020418	18 × 8	18	8	*	410
020420	20 × 8	20	8	*	460
020422	22 × 8	22	8	*	510
020424	24 × 8	24	8	*	560
020430	30 × 8	30	8	*	720
020512	12 × 10	12	10	*	325
020514	14 × 10	14	10	*	357
020516	16 × 10	16	10	*	389
020518	18 × 10	18	10	*	431
020520	20 × 10	20	10	*	520



*Product shipped individually.

– E.&O.E. – Subject to Change Without Notice – May Not Be Available At All Locations –

DUCT TAP-IN COLLARS

12" Long

ITEM #	SIZE (")	A (")	B (")	CTN/QTY	WT/100
050050	25 × 9-1/2	25	9-1/2	10	550
050051	24 × 12	24	12	5	580

10" Long

ITEM #	SIZE (")	A (")	B (")	CTN/QTY	WT/100
050200	24 × 8	24	8	10	450
050100	25 × 8	25	8	10	460
050080	26 × 8	26	8	10	480
050303	18 × 10	18	10	10	390
050302	20 × 10	20	10	10	410
050301	22 × 10	22	10	10	430
050300	24 × 10	24	10	10	450

4" Long

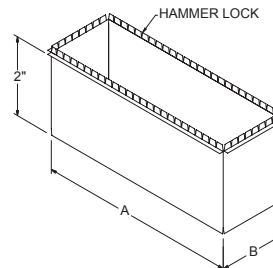
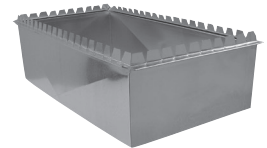
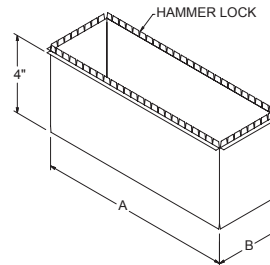
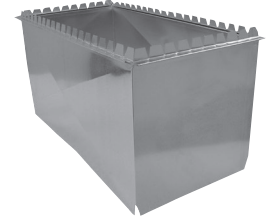
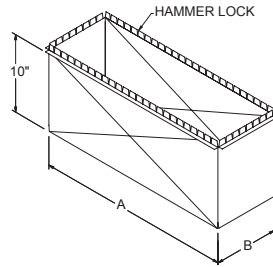
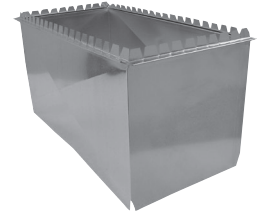
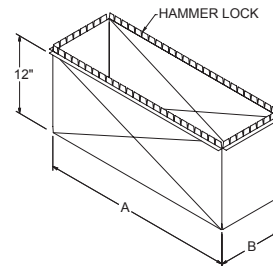
ITEM #	SIZE (")	A (")	B (")	CTN/QTY	WT/100
050308	8 × 8	8	8	10	116
050310	10 × 8	10	8	10	129
050312	12 × 8	12	8	10	143
050314	14 × 8	14	8	10	156
050316	16 × 8	16	8	10	169
050318	18 × 8	18	8	10	182
050320	20 × 8	20	8	10	195
050322	22 × 8	22	8	10	199
050324	24 × 8	24	8	10	220

3" Long

ITEM #	SIZE (")	A (")	B (")	CTN/QTY	WT/100
050331	10 × 3	10	3	10	72

2" Long

ITEM #	SIZE (")	A (")	B (")	CTN/QTY	WT/100
050332	25 × 9-1/2	25	9-1/2	10	220

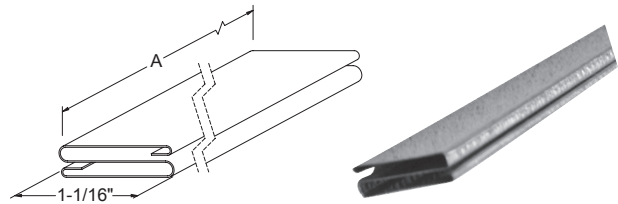


- E.&O.E. - Subject to Change Without Notice - May Not Be Available At All Locations -

S-CLEATS

ITEM #	SIZE (")	A (")	GAUGE	PCS/BNDL	WT/100
052008	8	7-5/8	30	10	12
052010	10	9-5/8	30	10	15
052100	12	11-5/8	30	10	18
052200	14	13-5/8	30	10	21
052300	16	15-5/8	30	10	24
052400	18	17-5/8	30	10	27
052500	20	19-5/8	30	10	30
052600	22	21-5/8	30	10	33
052700	24	23-5/8	30	10	36
052800	25	24-5/8	30	10	42
052850	26	25-5/8	30	10	60
052890	48	48	30	10	28
052900	60	60	30	10	18
052928	60	60	28	10	24
052926	60	60	26	10	28
052924	60	60	24	10	35
052910	96	96	33	10	13
053000	120	120	26	10	28
053024	120	120	24	10	35

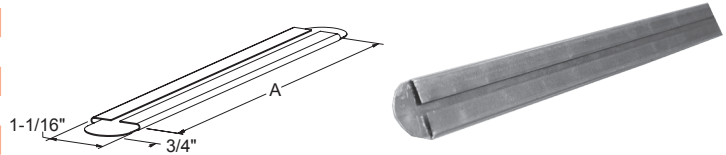
NOTE: Standard size(s) are in bold..



DRIVE CLEATS

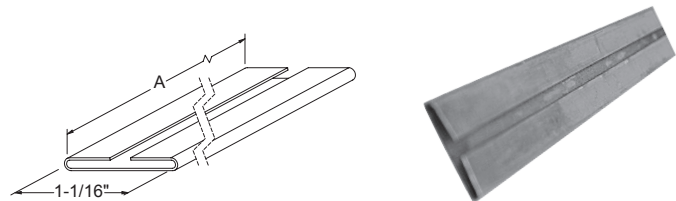
8" – 12"

ITEM #	SIZE (")	A (")	GAUGE	PCS/BNDL	WT/100
053090	8	8	26	20	13
053098	8	8	30	20	7
053099	10	10	26	20	94
053100	10	10	30	20	8
053200	12	12	30	20	10



48" – 120"

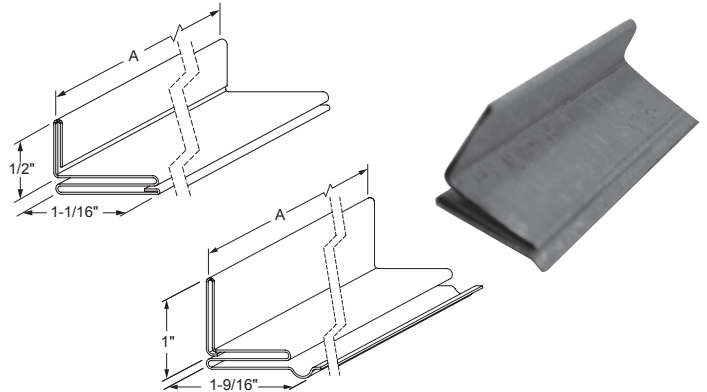
ITEM #	SIZE (")	A (")	GAUGE	PCS/BNDL	WT/100
053525	48	48	26	20	14
053500	60	60	30	20	10
053524	60	60	24	20	21
053526	60	60	26	20	16
053528	60	60	28	20	14
053508	96	96	30	20	10
053600	120	120	26	20	16
053624	120	120	24	20	21
053622	120	120	22	20	26



NOTE: Standard size(s) are in bold.

STANDING S-CLEATS

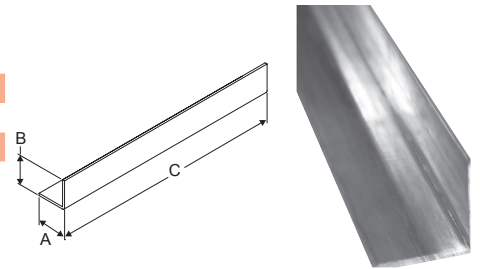
ITEM #	SIZE (")	A (")	GA	PCS/BNDL	WT/100
580072	1/2 × 60	60	26	10	16
580071	1/2 × 120	120	26	10	32
580073	1/2 × 120	120	24	10	40
580113	1 × 120	120	24	10	54
580115	1 × 120	120	22	10	69



FIRE DAMPER ANGLES

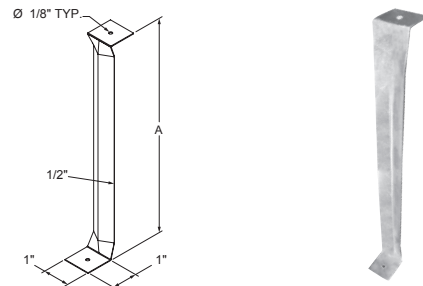
ITEM #	DESCRIPTION	A (")	B (")	C (")	GA	PCS/BNDL	WT/100
580205	1-1/2 × 1-1/2 – 10'	1-1/2	1-1/2	120	16	10	66
580209	1-1/2 × 1-1/2 – 8'	1-1/2	1-1/2	96	28	*	20
580210	1 × 2 – 4'	1	2	48	26	*	24
580211	2 × 2 – 8'	2	2	96	30	*	22

*Product shipped individually.



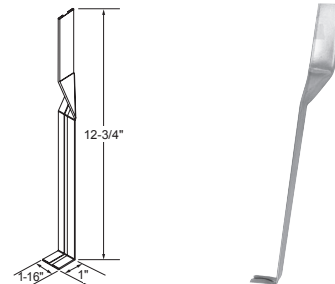
DUCT HANGERS

ITEM #	SIZE (")	A (")	GA	CTN/QTY	WT/100
051404	8	8	24	250	8
051408	9	9	24	250	9



DUCT HANGER — 90° TWIST

ITEM #	SIZE (")	A (")	B (")	GA	CTN/QTY	WT/100
051400	1-1/16 × 12-3/4	1-1/16	12-3/4	30	100	12



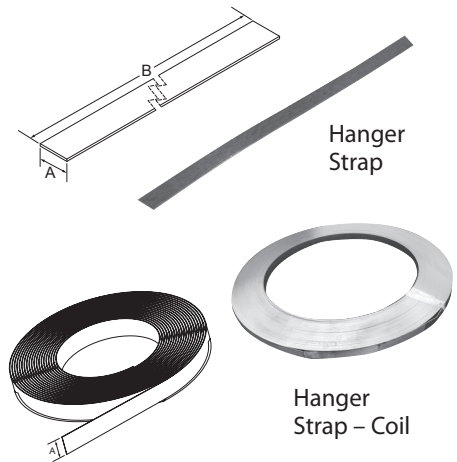
– E.&O.E. – Subject to Change Without Notice – May Not Be Available At All Locations –



GALVANIZED DUCT AND ACCESSORIES

DUCT HANGER STRAP

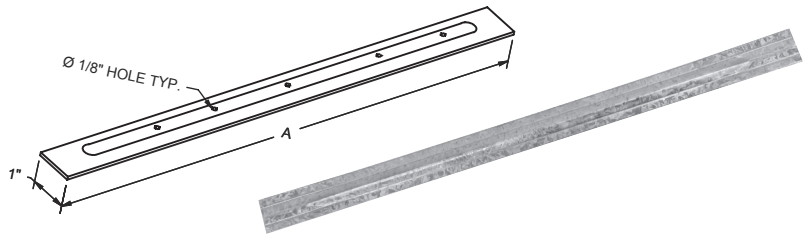
ITEM #	DESCRIPTION	A (")	B	GA	PCS/BNDL	WT/100
580195	1" Hanger Strap (5' long)	1	60 in	22	10	12
580190	1" Hanger Strap (10' long)	1	120 in	24	10	10
580197	1" Hanger Strap (10' long)	1	120 in	22	10	12
580201	1" Hanger Strap (10' long)	1	120 in	18	10	18
580200	1" Hanger Strap	1	-	Light	*	4
580202	1" Coil Duct Hanger	1	-	18	*	100
580165	1" Hanger Strap - 100' coil	1	100 ft	26	*	755
580170	1" Hanger Strap - 100' coil	1	100 ft	24	*	964
580180	1" Hanger Strap - 100' coil	1	100 ft	22	*	1172
580178	1-1/2" Hanger Strap - 100' coil	1-1/2	100 ft	24	*	1445
580203	1-1/2" Hanger Strap - 100' coil	1-1/2	100 ft	24	*	1500
580167	1-1/2" Hanger Strap - 100' coil	1-1/2	100 ft	26	*	1133



*Product shipped individually.

PIPE SUPPORTS

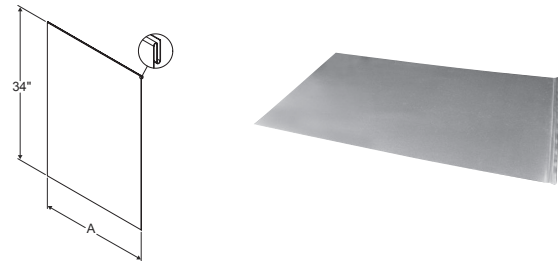
ITEM #	DESCRIPTION	A (")	CTN/QTY	WT/100
051800	16" - 20 Gauge	16-1/4	100	20
051819	19" - 18 Gauge	19-1/4	100	31
051821	21" - 18 Gauge	21-1/4	100	35
051824	24" - 18 Gauge	24-1/4	100	39
051826	26" - 18 Gauge	26-1/4	100	43



JOIST LINERS — GALVANIZED (.013)

ITEM #	SIZE (")	A (")	CTN/QTY	WT/100
051048	24 x 34	24	*	312

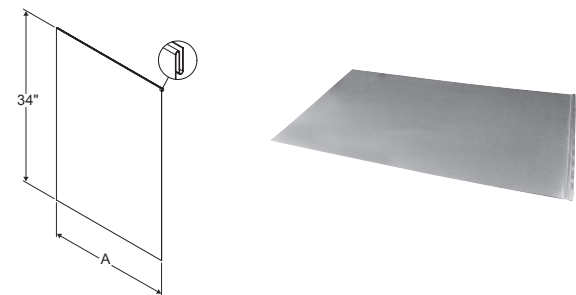
*Product shipped individually.



JOIST LINERS — GALVANIZED (.010)

ITEM #	SIZE (")	A (")	CTN/QTY	WT/100
051034	16 x 34	16	30	165
051040	19 x 34	19	*	196
051038	20 x 34	24	*	207
051036	24 x 34	20	*	248

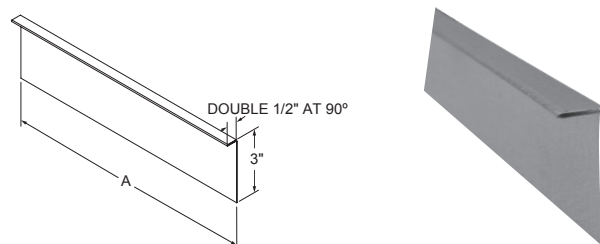
*Product shipped individually.



RETURN AIR FRAME

ITEM #	SIZE (")	A (")	CTN/QTY	WT/100
050651	36" long (2-pc)	36	*	181
050652	60" long	60	*	20
050653	96" long	96	*	31

*Product shipped individually.



- E.&O.E. - Subject to Change Without Notice - May Not Be Available At All Locations -



www.eccomfg.com

Langley Distribution

19860 Fraser Highway
Langley, British Columbia
Canada V3A 4C9

Phone: 604-530-4151
Toll Free: 1-877-955-4805
Fax: 604-533-9335

Calgary Distribution

21 – 11150 38th Street, S.E.
Calgary, Alberta
Canada T2C 2Z6

Phone: 403-720-0895
Toll Free: 1-877-955-4815
Fax: 403-720-0897

Kent Distribution

20001 87th Ave. S, Bldg E
Kent, Washington
USA 98031

Phone: 253-872-3721
Toll Free: 1-800-207-6859
Fax: 253-872-3724