

MAGIC-PAK
www.magic-pak.com

INDEX

M-SERIES — MCE
ELECTRIC HEATING / ELECTRIC COOLING..... 2-3
Model Number Guide..... 2-3

M-SERIES — MGE
GAS HEATING / ELECTRIC COOLING..... 2-4
Model Number Guide..... 2-4

M-SERIES — MHP
ELECTRIC HEAT PUMP 2-5
Model Number Guide..... 2-5

V-SERIES — ALL-IN-ONE UNITS
HWC — GAS HEATING / ELECTRIC COOLING PACKAGED UNITS..... 2-2
Model Number Guide..... 2-2

MAGIC-PAK® LOUVERS..... 2-6

For additional information and product pricing please contact your local ECCO Supply™ Sales Branch.
For Technical & Warranty information see www.magic-pak.com

Expert Service. Quality Products. Since 1960.

V-SERIES — ALL-IN-ONE UNITS

HWC — GAS HEATING / ELECTRIC COOLING PACKAGED UNITS

FEATURES

- Over 50 years of unit expertise and design
- Self-contained Heating and Cooling Packaged Unit
- No need for outdoor units, line sets, or separate venting
- Pre-wired and pre-charged

REFRIGERANT SYSTEM

- High-efficiency compressor standard on all models
- HWC*12P30 includes a two-stage high-efficiency compressor
- Copper tubing with enhanced aluminum fin coils
- Slide-out Cooling chassis for ease of service
- Anti-microbial evaporative drain pan
- Freeze Shield™ condensate trap on all HWC9 models†

HEAT EXCHANGER

- AFUE ratings up to 95%
- Stainless steel primary heat exchanger on all models

- Stainless steel secondary heat exchanger and transition box on HWC9 models
- Direct vent/sealed combustion

BLOWER

- Multi-speed blower motor for diverse airflow range
- Resilient motor mounts for smooth and quiet operation
- Internal washable filter is standard

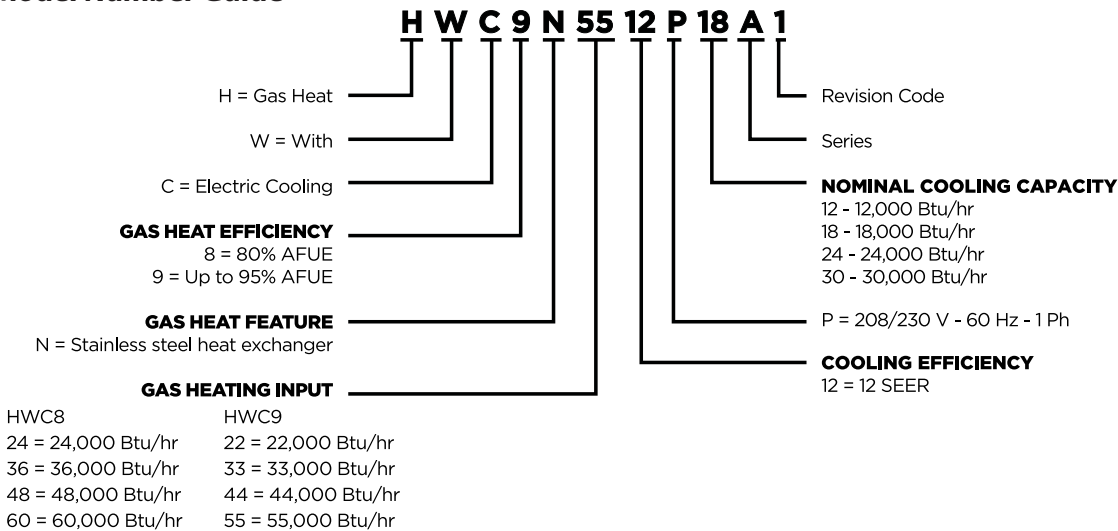
CONTROLS

- Conventional 24V thermostat
- One Stage Cool/Heat required up to 2 tons
- Two Stage Cool/One Stage Heat for 2.5-ton model
- Color-coded wiring for ease of installation and service
- Diagnostic LED
- Easily accessible control box

† Patent Pending



Model Number Guide



ITEM #	MODEL	COOLING				HEATING			
		BTUH	SEER	S/T	CFM	INPUT (BTUH)	OUTPUT (BTUH)	AFUE	TEMP. RISE RANGE °F
891335	HWC9N3312P18A	17,000	12	0.75	560	33,000	31,000	95	30 – 60
891338	HWC9N4412P18A	17,000	12	0.75	560	44,000	41,000	95	35 – 65
891309	HWC9N3312P24A	22,800	12	0.75	770	33,000	31,000	95	30 – 60
891336	HWC9N4412P24A	22,800	12	0.75	770	44,000	41,000	95	35 – 65
891337	HWC9N5512P24A	22,800	12	0.75	770	55,000	51,500	93	45 – 75

– E.&O.E. – All Prices F.O.B. Our Warehouse – Subject to Change Without Notice – All Taxes Extra – May not be Available at All Branches –

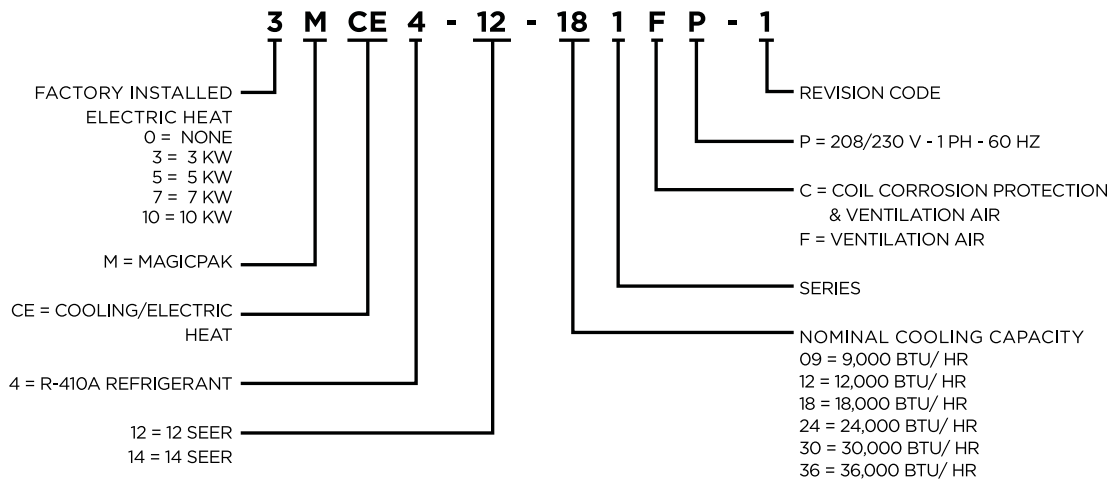
M-SERIES — MCE

ELECTRIC HEATING / ELECTRIC COOLING

- Fully ducted system
- 0.75-, 1-, 1.5-, 2-, 2.5- and 3-ton
- COOLING: 8,600, 12,000, 22,800, and BTUH
- Individual metering and control for each unit
- From 12 to 14 SEER and 11 EER
- Easy plug-and-play-like install and service
- Top supply and return
- Nominal CFM at 0.5" W.C.
- <1.4% cabinet air leak
- Pre-wired and pre-charged
- Factory installed evaporator drain float switch
- Factory installed ventilation air capabilities
- Optional epoxy coated coils



Model Number Guide



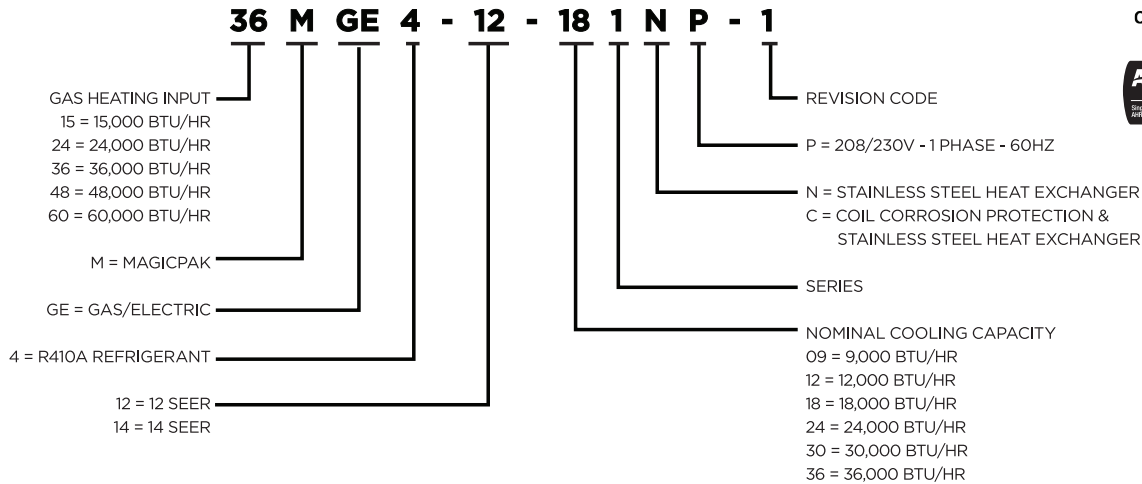
M-SERIES — MGE

GAS HEATING / ELECTRIC COOLING

- Fully ducted system
- 0.75-, 1-, 1.5-, 2-, 2.5- and 3-ton
- COOLING: 8,600, 12,000, 17,200, 22,600, 28,200, and 34,200 BTUH
- From 12 to 14 SEER and 11 EER, and 80% TE
- Individual metering and control for each unit
- Easy plug-and-play-like install and service
- Top supply and return
- Nominal CFM at 0.5" W.C.
- <2.0% cabinet air leak
- Pre-wired and pre-charged
- Factory installed evaporator drain float switch
- Direct vent/sealed combustion
- Optional epoxy coated coils
- Standard stainless steel heat exchanger



Model Number Guide

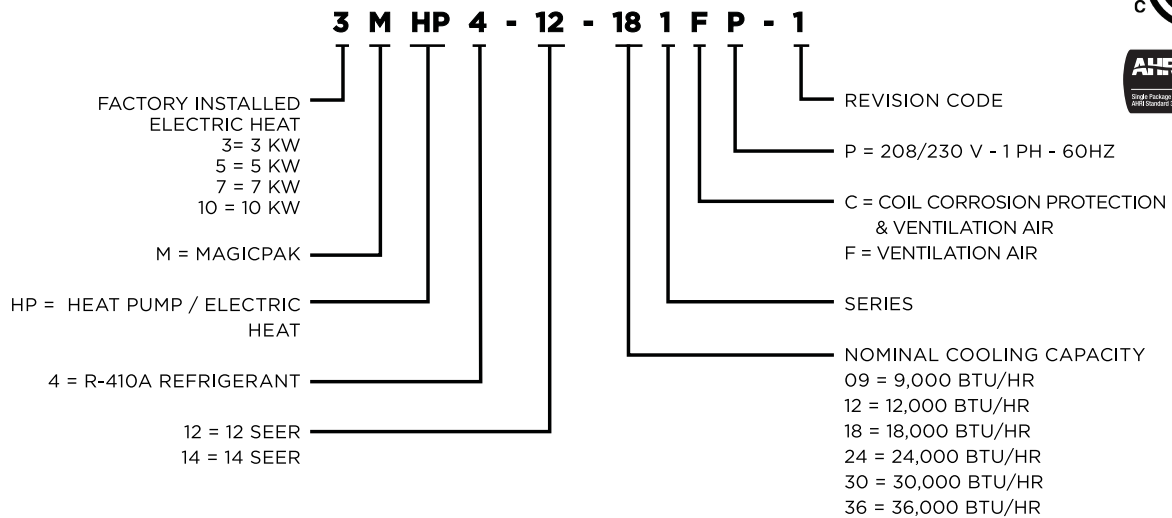


**M-SERIES — MHP
ELECTRIC HEAT PUMP**

- Fully ducted system
- 0.75-, 1-, 1.5-, 2-, 2.5- and 3-ton
- HEATING: 8,600, 11,400, 16,200, 22,800, 26,200, and 32,400 BTUH
- COOLING: 8,600, 12,000, 16,500, 22,800, 27,600, and 34,600 BTUH
- From 12 to 14 SEER and 11 EER
- Individual metering and control for each unit
- Easy plug-and-play-like install and service
- Top supply and return
- Nominal CFM at 0.5" W.C.
- <1.4% cabinet air leak
- Pre-wired and pre-charged
- Factory installed evaporator drain float switch
- Factory installed ventilation air capabilities
- Optional epoxy coated coils



Model Number Guide



MAGIC-PAK® LOUVERS

Preserve the final appearance of structures with external louver grilles that add functionality, flexibility and customization.

Preserve appearances and components

As the most visible and external component of a Magic-Pak single package vertical unit, external louvers serve three purposes:

- protecting internal components from weather and debris;
- preserving the appearance of buildings by blending in with color schemes;
- obscuring line-of-sight visibility of heating and cooling equipment.



A wide palette of colors helps Magic-Pak Louvers blend seamlessly

Numerous color choices and finishes are available for both polypropylene and extruded aluminum louvers. Magic-Pak louvers can also be made to your exact color specifications with custom paint and color matching.

Polypropylene Louvers

Bone White, Surre Beige, Taupestone, Sandstone

Aluminum 2 Coat 70% PVDF Colors

Bone White (24), Dark Bronze (75), Portland Stone (49), Light Stone (43), Shelburne (69), Forest Green (36), Sandstone (67), Herringbone (37), Coronado Red (34), Sahara Tan (65), Stone Gray (78), Ascot White (19), Black (89), Medium Bronze (72), Taupe (52)

Aluminum Pearledize 70 Standard Colors

Dark Bronze (75), Medium Bronze (72), Champagne (71), Bright Silver (88), Warm Silver (96), Asti (86), Copper (92), Coral Reef (93), Blue (05)

Built to stay beautiful and built to work

MagicPak™ louvers aren't just durable and attractive, they're also functional. In fact, two angles of louvers are used in each external grille section, each with a different purpose.

Louvers in the upper section angle upwards:

- Discharges air away from the condenser coil intake to prevent air recirculation
- Polypropylene louvers include a metal discharge piece with gas/electric applications
- Prevents line-of-sight to internal components to preserve appearance

Louvers in the lower section angle downwards:

- Preserves clear air intake to condenser coil
- Prevents leaves and debris from collecting inside the louver

Water dispersion, built right in

Keeping water out is an issue faced by every HVAC system. MagicPak louvers prevents water damage to internal components and dwellings. Rather than rely solely on gaskets or seals, MagicPak louvers have a special shape that channels water away to the building exterior.

To do this, the base includes an integrated drain pan, and slopes on the wall sleeve let gravity help pull water away. With their polypropylene base pan design, corrosion that leads to discoloration on a building's facade is no longer a concern.

