

CHIMNEY LINERS, 2-Ply Flex



ECCO™ is proud to be a member of:



SMACNA
Sheet Metal and Air
Conditioning Contractors
National Association
www.smacna.org



HRAI
Heating, Refrigeration and
Air Conditioning
Institute of Canada
www.hrai.ca



HARDI
Heating, Air-conditioning
& Refrigeration
Distributors International
www.hardinet.org



ADI
Air
Distribution
Institute
www.steelduct.org



AD
Affiliated Distributors™
www.adhq.com



CME
Canadian
Manufacturers &
Exporters
www.cme-mec.ca



SPIDA
Spiral Duct
Manufacturers
Association
www.spida.org



CHIMNEY LINERS, 2-PLY FLEX

INDEX

4" OFFSET BOXES — STAINLESS STEEL.....	C2-7
CHIMNEY LINERS	
2-PLY — ALUMINUM.....	C2-3
2-PLY — CARTON — ALUMINUM.....	C2-4
CAP ASSEMBLY — 5" EXTENSION.....	C2-3
CAP ASSEMBLY — ALUMINUM.....	C2-3
EXTENSIONS — 2-PLY — WITH COUPLER — ALUMINUM.....	C2-4
KITS	
ALUMINUM.....	C2-5
STAINLESS STEEL.....	C2-6
LOW PROFILE LINER CAPS — 4" EXTENSION — ALUMINUM.....	C2-5
LOW PROFILE LINER RAIN CAPS — ALUMINUM.....	C2-5
REDUCERS — STAINLESS STEEL.....	C2-8
STAINLESS STEEL.....	C2-6
CONNECTORS — DRIPLESS — STAINLESS STEEL.....	C2-7
COUPLERS — STAINLESS STEEL.....	C2-6
ELBOWS — STAINLESS STEEL	
45°.....	C2-8
90°.....	C2-8
FLASHINGS — STAINLESS STEEL.....	C2-9
FLEX VENT SPACERS.....	C2-4
FLUE ADAPTERS — STAINLESS STEEL.....	C2-8
RAIN CAPS — STAINLESS STEEL.....	C2-9
SUPPORT COLLARS — STAINLESS STEEL.....	C2-9
TEES WITH CLEANOUT — STAINLESS STEEL.....	C2-7

LEGEND

NOTE: The boxed columns throughout the tables are intended to provide a quick determination of ordering dimensions.

ABBREVIATIONS:

- CTN/QTY = Carton Quantity
- LGTH/CTN = Length per Carton
- PCS/CTN = Pieces per Carton
- WT/100 = Weight per 100 Pieces
- WT/100 FT = Weight per 100 Feet

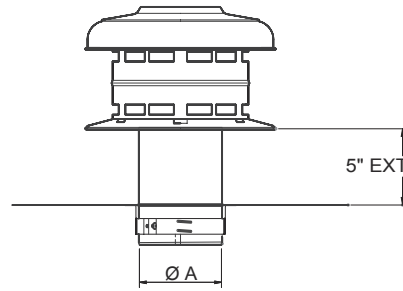
– E.&O.E. – Subject to Change Without Notice – May Not Be Available At All Locations –



CHIMNEY LINERS, 2-PLY FLEX

CHIMNEY LINER CAP ASSEMBLY — 5" EXTENSION

ITEM #	SIZE (")	A (")	CTN/QTY	WT/100
301023	3	3	*	400
301024	4	4	*	400
301025	5	5	*	400
301026	6	6	*	500
301027	7	7	*	500
301028	8	8	*	500

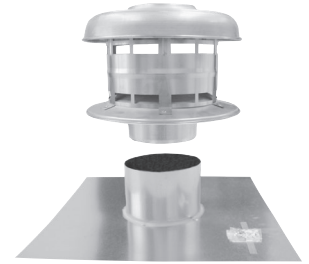
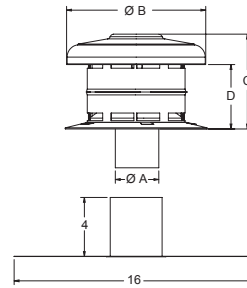


*Product shipped individually.

NOTE: Base – Galvanized / Cap – Aluminum

CHIMNEY LINER CAP ASSEMBLY — ALUMINUM

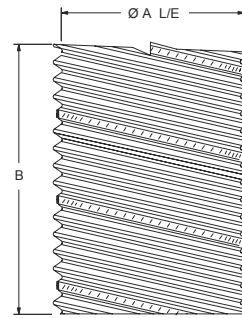
ITEM #	SIZE (")	A (")	B (")	C (")	D (")	CTN/QTY	WT/100
301003	3	3	8	6-1/8	4	*	285
301004	4	4	9-3/8	6-1/8	4	*	309
301005	5	5	10-3/4	7	4-1/2	*	323
301006	6	6	12-3/8	7	4-1/2	*	345
301007	7	7	14	7-3/4	5	*	368
301008	8	8	15-5/8	7-3/4	5	*	392



*Product shipped individually.

CHIMNEY LINERS — 2-PLY — ALUMINUM

ITEM #	SIZE	A (")	B (')	CTN/QTY	WT/100 FT
300907	7" × 25'	7	25	*	52
300908	8" × 25'	8	25	*	60
300937	7" × 35'	7	35	*	52
300938	8" × 35'	8	35	*	60
300953	3" × 50'	3	50	*	20
300954	4" × 50'	4	50	*	28
300955	5" × 50'	5	50	*	36
300956	6" × 50'	6	50	*	44
300957	7" × 50'	7	50	*	52
300958	8" × 50'	8	50	*	60



*Product shipped individually.

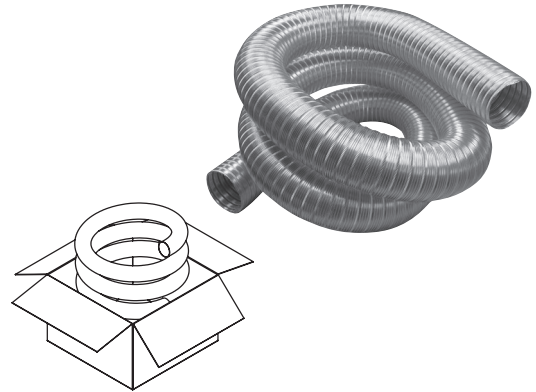
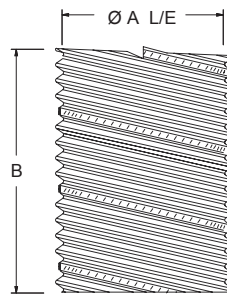
– E.&O.E. – Subject to Change Without Notice – May Not Be Available At All Locations –



CHIMNEY LINERS, 2-PLY FLEX

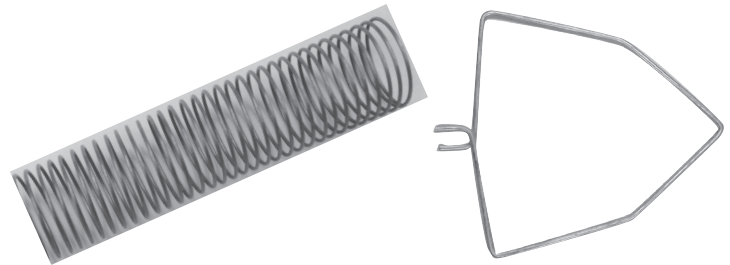
CHIMNEY LINERS — 2-PLY — CARTON — ALUMINUM

ITEM #	SIZE	A (")	B (')	CTN/QTY	WT/100
300990	3" x 25'	3	25	1	530
300991	4" x 25'	4	25	1	730
300992	5" x 25'	5	25	1	930
300993	6" x 25'	6	25	1	1130
300996	3" x 35'	3	35	1	730
300997	4" x 35'	4	35	1	1010
300998	5" x 35'	5	35	1	1290
300999	6" x 35'	6	35	1	1570



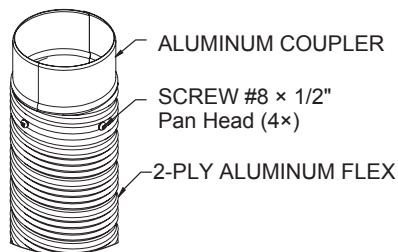
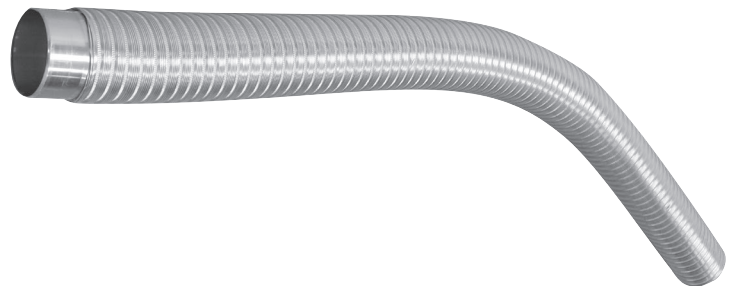
FLEX VENT SPACERS

ITEM #	DESCRIPTION	CTN/QTY	WT/100
670050	4" - 7" Aluminum Wire	240	1
670053	5" - 8" Aluminum Wire	200	1
670055	1" Stainless Steel Spring	300	4

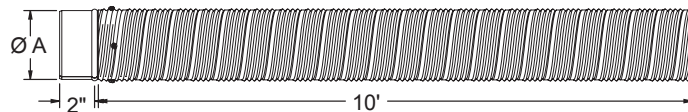


CHIMNEY LINER EXTENSIONS — 2-PLY — WITH COUPLER — ALUMINUM

ITEM #	SIZE	A (")	PCS/CTN	WT/100
301063	3" x 10'	3	35	220
301064	4" x 10'	4	20	295
301065	5" x 10'	5	13	375
301066	6" x 10'	6	9	440



DETAIL VIEW



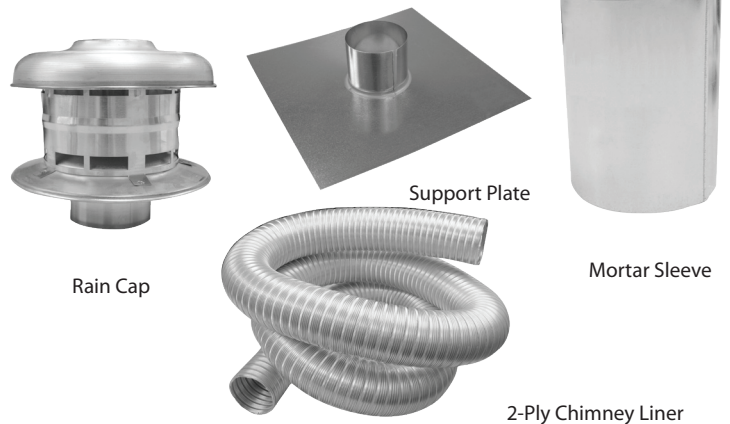
-E.&O.E. - Subject to Change Without Notice - May Not Be Available At All Locations -



CHIMNEY LINERS, 2-PLY FLEX

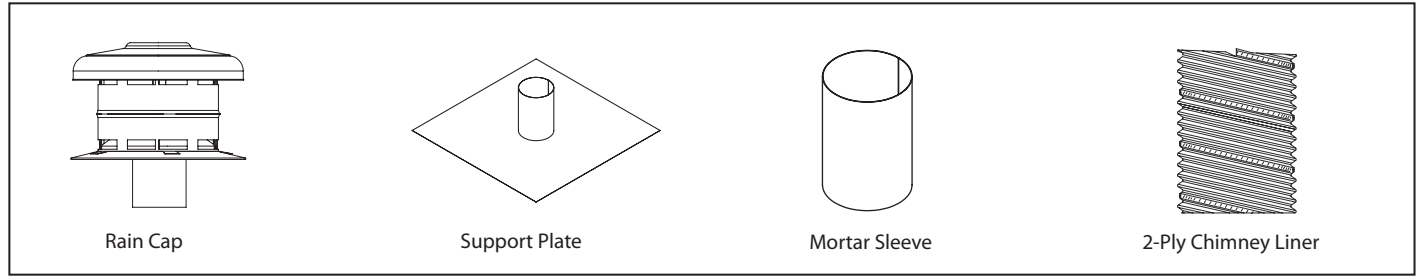
CHIMNEY LINER KITS — ALUMINUM

ITEM #	SIZE	CTN/QTY	WT/100
301043	3" x 25'	1	1100
301044	4" x 25'	1	1350
301045	5" x 25'	1	1575
301046	6" x 25'	1	1750
301053	3" x 35'	1	1500
301054	4" x 35'	1	1850
301055	5" x 35'	1	2175
301056	6" x 35'	1	2525
301057	7" x 35'	1	2875
301058	8" x 35'	1	3225



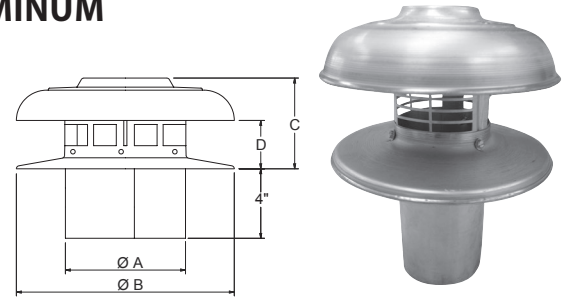
Chimney Liner Kit includes:

- 1 – Rain Cap
- 1 – Support Plate
- 1 – Mortar Sleeve
- 1 – 2-Ply Chimney Liner



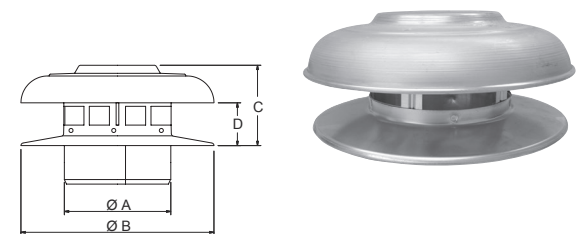
LOW PROFILE LINER CAPS — 4" EXTENSION — ALUMINUM

ITEM #	SIZE (")	A (")	B (")	C (")	D (")	CTN/QTY	WT/100
301017	3	3	8	2-7/8	1-3/8	10	60
301018	4	4	8	3-1/8	1-5/8	10	80
301019	5	5	9	3-1/2	2	10	100



LOW PROFILE LINER RAIN CAPS — ALUMINUM

ITEM #	SIZE (")	A (")	B (")	C (")	D (")	CTN/QTY	WT/100
301014	4	4	8	3-1/8	1-5/8	10	50
301015	5	5	9	3-1/2	2	10	65



– E.&O.E. – Subject to Change Without Notice – May Not Be Available At All Locations –



CHIMNEY LINERS, 2-PLY FLEX

CHIMNEY LINER KITS — STAINLESS STEEL

ITEM #	DESCRIPTION	CTN/QTY	WT/100
299502	5" x 25'	1	1900
299602	6" x 25'	1	2200
299503	5" x 25' with Tee*	1	2100
299603	6" x 25' with Tee*	1	2440

Stainless Steel Liner Kit Assembly includes:

- 1 – Stainless Steel Rain Cap
- 1 – Stainless Steel Dripless Connector
- 1 – Stainless Steel Liner Flashing
- 1 – Stainless Steel Liner Support Collar
- 1 – 25' Stainless Steel Chimney Liner
- 1 – Stainless Steel Tee*

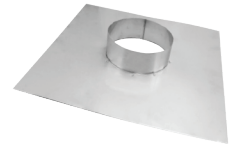
*Only included with 299503 / 299603



Stainless Steel Rain Cap



Stainless Steel Dripless Connector



Stainless Steel Liner Flashing



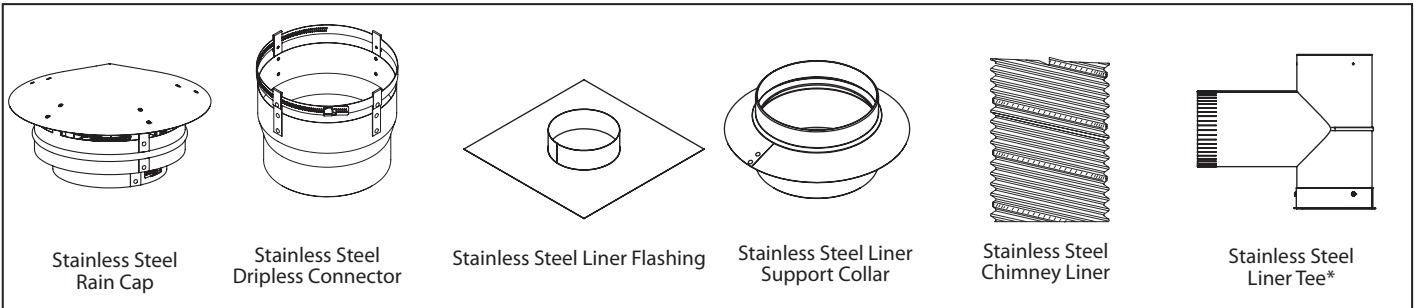
Stainless Steel Liner Support Collar



Stainless Steel Chimney Liner

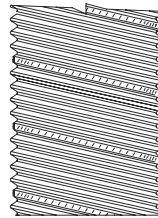


Stainless Steel Liner Tee*



CHIMNEY LINERS — STAINLESS STEEL

ITEM #	SIZE	CTN/QTY	WT/100
299504	5" x 25'	1	1800
299604	6" x 25'	1	1500



Stainless Steel Chimney Liner

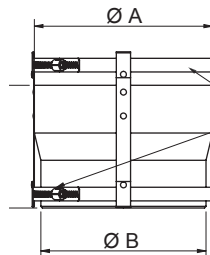


Stainless Steel Chimney Liner

COUPLERS — STAINLESS STEEL

ITEM #	SIZE (")	A (")	B (")	CTN/QTY	WT/100
299522	5	5-1/2	5-1/16	10	65
299622	6	6-1/2	6-1/16	10	75

NOTE: General tolerance of dimensions are +/- 1/8" unless otherwise specified.



GEAR CLAMP FOR ATTACHING FLEXIBLE LINER



- E.&O.E. - Subject to Change Without Notice - May Not Be Available At All Locations -

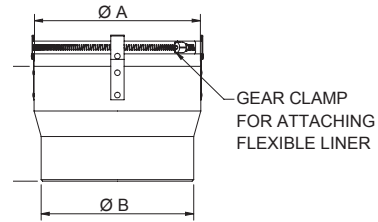


CHIMNEY LINERS, 2-PLY FLEX

DRIPLESS CONNECTORS — STAINLESS STEEL

ITEM #	SIZE (")	A (")	B (")	CTN/QTY	WT/100
299524	5	5-1/2	5	10	65
299624	6	6-1/2	6	10	75

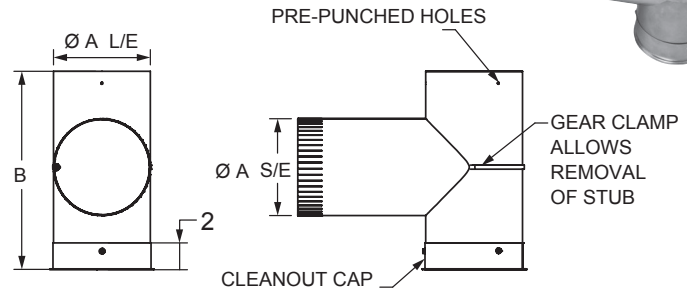
NOTE: General tolerance of dimensions are +/- 1/8" unless otherwise specified.



TEES WITH CLEANOUT — STAINLESS STEEL

ITEM #	SIZE (")	A (")	B (")	CTN/QTY	WT/100
299526	5	5	10-1/4	10	200
299626	6	6	12-1/4	10	240

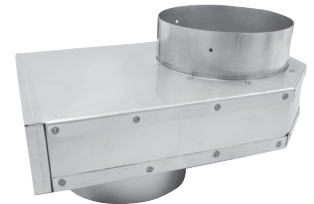
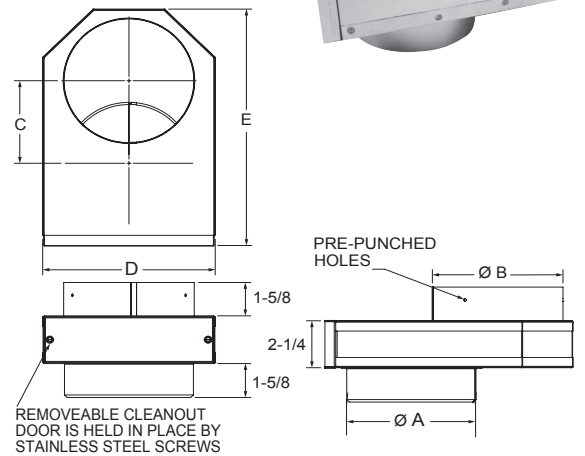
NOTE: General tolerance of dimensions are +/- 1/8" unless otherwise specified.



4" OFFSET BOXES — STAINLESS STEEL

ITEM #	SIZE (")	A (")	B (")	C (")	D (")	E (")	CTN/QTY	WT/100
299528	5	5	5	4	7	10-1/2	10	140
299628	6	6	6	4	8	11-1/2	10	165

NOTE: General tolerance of dimensions are +/- 1/8" unless otherwise specified.



- E.&O.E. - Subject to Change Without Notice - May Not Be Available At All Locations -

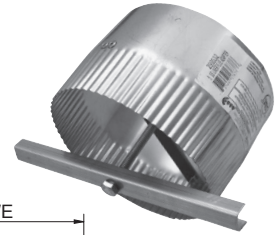
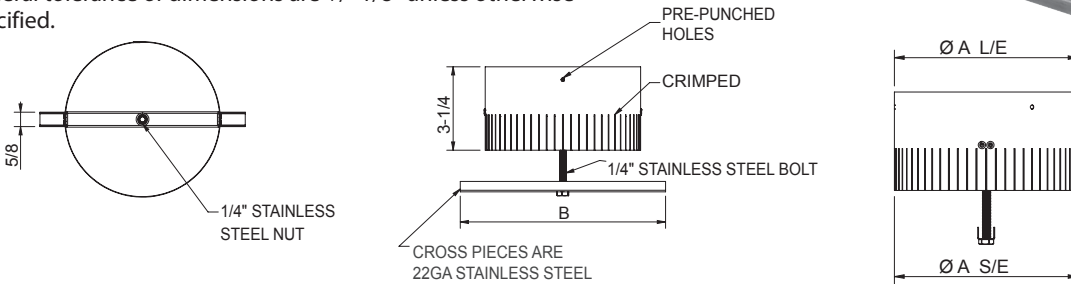


CHIMNEY LINERS, 2-PLY FLEX

FLUE ADAPTERS — STAINLESS STEEL

ITEM #	SIZE (")	A (")	B (")	CTN/QTY	WT/100
299532	5	5	7	10	60
299632	6	6	8	10	60

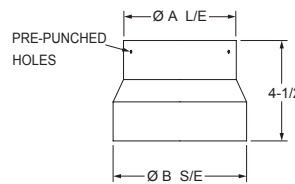
NOTE: General tolerance of dimensions are +/- 1/8" unless otherwise specified.



LINER REDUCERS — STAINLESS STEEL

ITEM #	SIZE (")	A (")	B (")	CTN/QTY	WT/100
299634	6	5	6	10	50

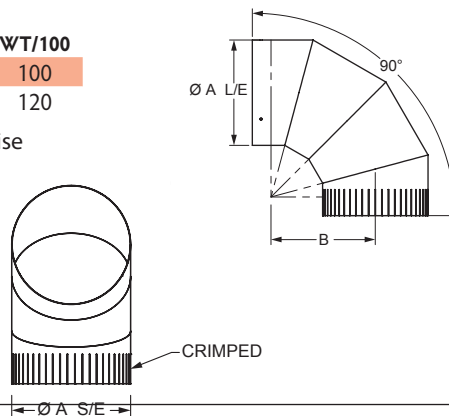
NOTE: General tolerance of dimensions are +/- 1/8" unless otherwise specified.



90° ELBOWS — STAINLESS STEEL

ITEM #	DESCRIPTION	A (")	B (")	CTN/QTY	WT/100
299538	5" x 90°	5	5	10	100
299638	6" x 90°	6	6	10	120

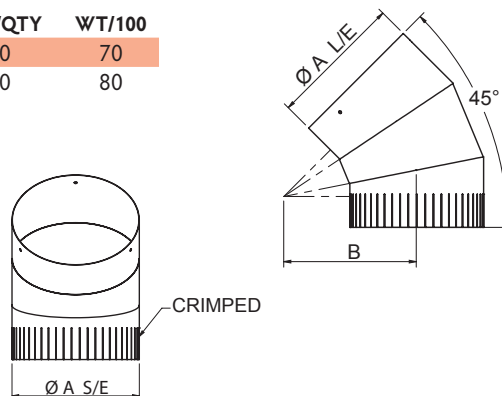
NOTE: General tolerance of dimensions are +/- 1/8" unless otherwise specified.



45° ELBOWS — STAINLESS STEEL

ITEM #	DESCRIPTION	A (")	B (")	CTN/QTY	WT/100
299536	5" x 45°	5	5	10	70
299636	6" x 45°	6	6	10	80

NOTE: General tolerance of dimensions are +/- 1/8" unless otherwise specified.



-E.&O.E. - Subject to Change Without Notice - May Not Be Available At All Locations -

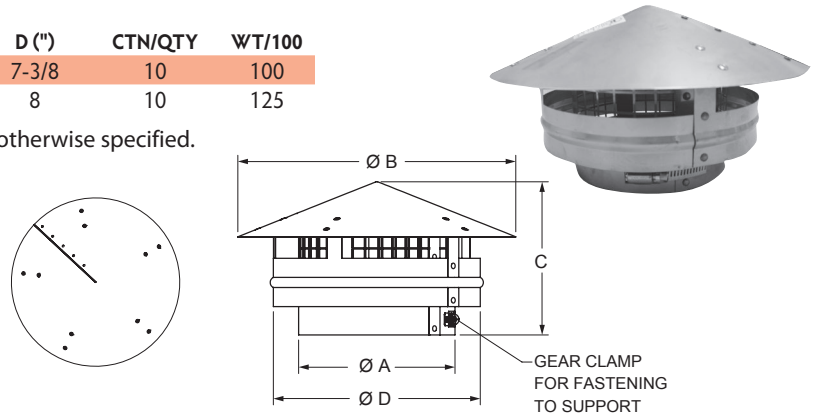


CHIMNEY LINERS, 2-PLY FLEX

RAIN CAPS — STAINLESS STEEL

ITEM #	SIZE (")	A (")	B (")	C (")	D (")	CTN/QTY	WT/100
299540	5	5-3/16	10	5-3/8	7-3/8	10	100
299640	6	6-3/16	11	6	8	10	125

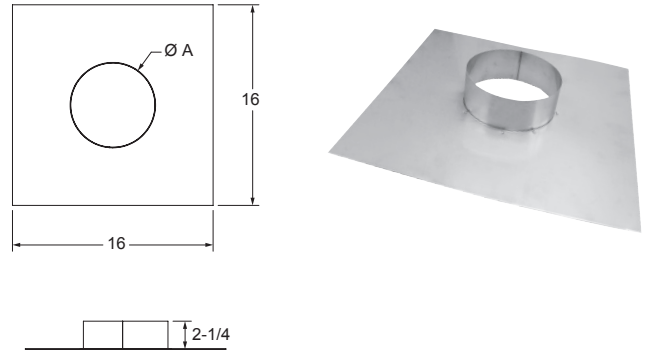
NOTE: General tolerance of dimensions are +/- 1/8" unless otherwise specified.



FLASHINGS — STAINLESS STEEL

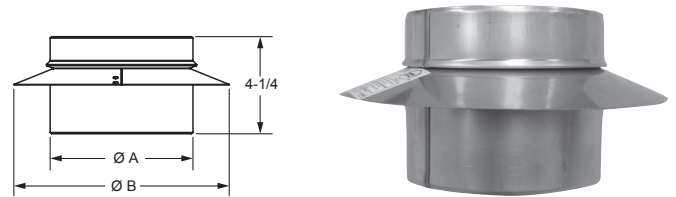
ITEM #	SIZE (")	A (")	CTN/QTY	WT/100
299543	5	5-3/4	10	115
299643	6	6-3/4	10	140

NOTE: General tolerance of dimensions are +/- 1/8" unless otherwise specified.



SUPPORT COLLARS — STAINLESS STEEL

ITEM #	SIZE (")	A (")	B (")	CTN/QTY	WT/100
299545	5	5	8-3/16	10	65
299645	6	6	9-3/16	10	75



- E.&O.E. - Subject to Change Without Notice - May Not Be Available At All Locations -



www.eccomfg.com

Langley Distribution

19860 Fraser Highway
Langley, British Columbia
Canada V3A 4C9

Phone: 604-530-4151
Toll Free: 1-877-955-4805
Fax: 604-533-9335

Calgary Distribution

21 – 11150 38th Street, S.E.
Calgary, Alberta
Canada T2C 2Z6

Phone: 403-720-0895
Toll Free: 1-877-955-4815
Fax: 403-720-0897

Kent Distribution

20001 87th Ave. S, Bldg E
Kent, Washington
USA 98031

Phone: 253-872-3721
Toll Free: 1-800-207-6859
Fax: 253-872-3724