

ALLIED COMMERCIAL SPLIT SYSTEMS

www.allied-commercial.com

INDEX

SPLIT SYSTEM UNITS — R-410A — 60 HZ	
AIR HANDLERS — TAA	3-4
CONDENSING UNITS — TSA	3-2
HEAT PUMP OUTDOOR UNITS — TPA.....	3-3

For additional information and product pricing please contact your local ECCO Supply Sales Branch.
For Technical and Warranty information see www.allied-commercial.com

ECCO is proud to be a member of:



HRAI
Heating, Refrigeration and
Air Conditioning
Institute of Canada
www.hrai.ca



HARDI
Heating, Air-conditioning
& Refrigeration
Distributors International
www.hardinet.org



SMACNA
Sheet Metal and Air
Conditioning Contractors'
National Association
www.smacna.org



SPIDA
Spiral Duct
Manufacturers
Association
www.spida.org



CIPH
Canadian Institute
of Plumbing &
Heating
www.ciph.com

ALLIED COMMERCIAL SPLIT SYSTEMS

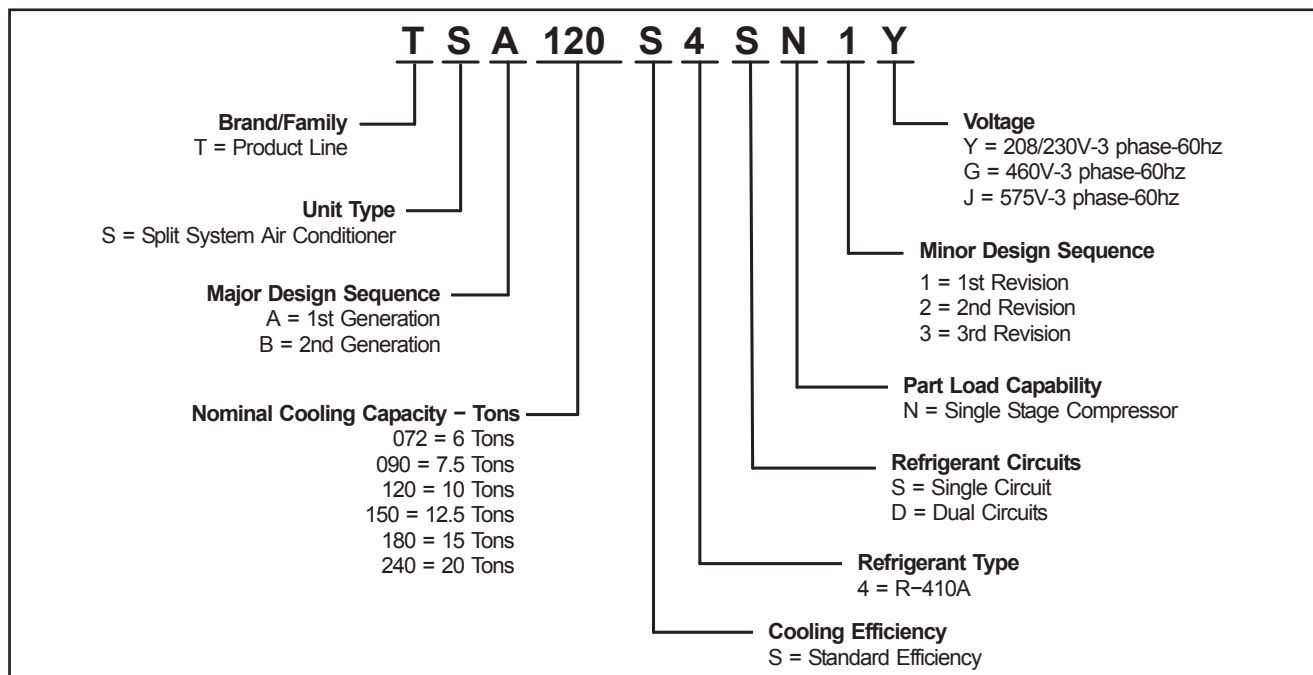
www.allied-commercial.com

SPLIT SYSTEM UNITS — R-410A — 60 HZ

CONDENSING UNITS — TSA

- Up to 11.7 EER
- 6, 7.5, 10, 12.5, 15 and 20 nominal tons
- Cooling capacity – 71,000 to 236,000 BTUH
- One scroll compressor for 6, 7.5 and 10, two scroll compressors for 10, 12.5, 15 and 20 ton units
- High pressure switch, loss of charge switch, high capacity drier(s) and crankcase heaters are factory installed
- Optional factory installed corrosion protection option
- Optional field installed coil guards, hail guards and low ambient kit

Model Number Guide



072-090 Models



120-150 Models



180-240 Models

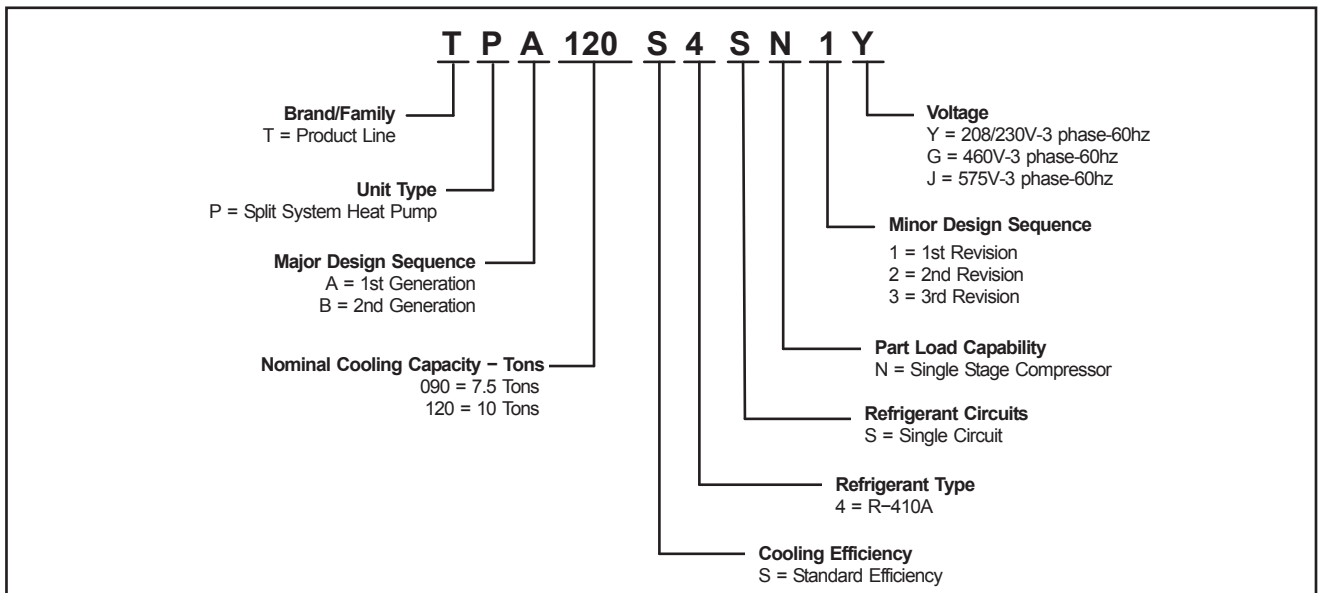
ALLIED COMMERCIAL SPLIT SYSTEMS

www.allied-commercial.com

SPLIT SYSTEM UNITS — R-410A — 60 HZ (cont'd)

HEAT PUMP OUTDOOR UNITS — TPA

- Up to 11.0 EER
- 7.5 and 10 nominal tons
- Cooling capacity – 89,000 to 180,000 BTUH
- Heating capacity – 88,000 to 174,000 BTUH
- One scroll compressor for 7.5 and 10 ton units
- High pressure switch, loss of charge switch, high capacity drier(s) and crankcase heaters are factory installed
- Optional factory installed corrosion protection option
- Optional field installed coil guards, hail guards and low ambient kit



– E.&O.E. – All Prices F.O.B. Our Warehouse – Subject to Change Without Notice – All Taxes Extra – May not be Available at All Branches –

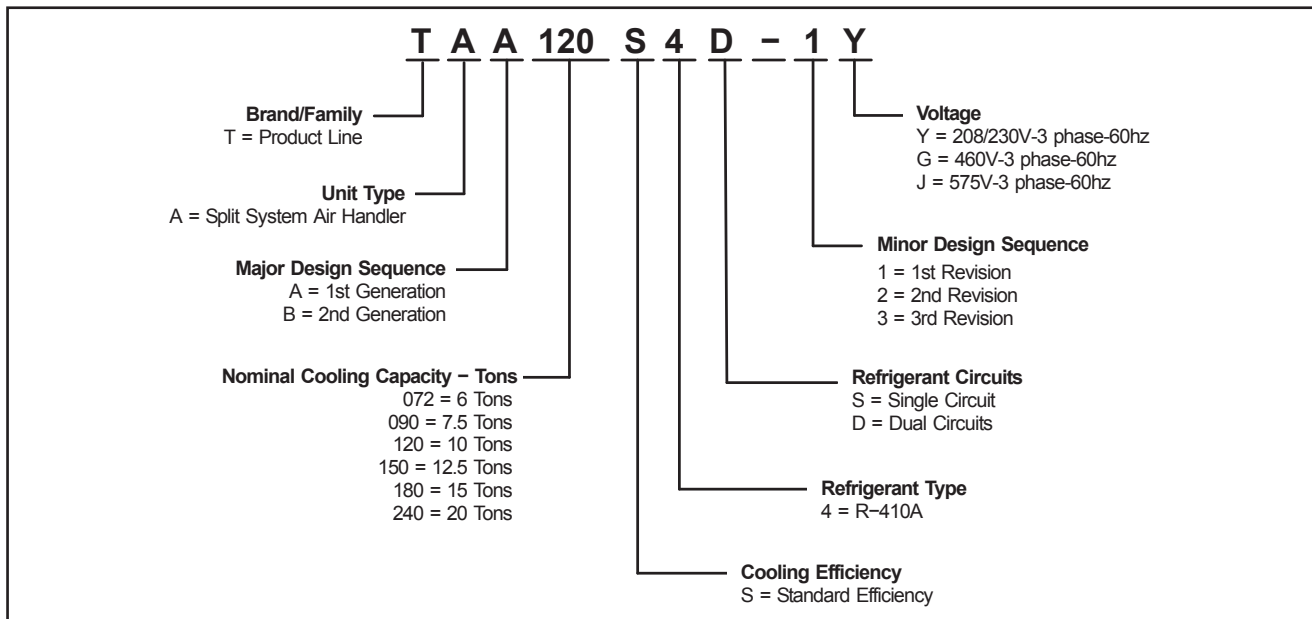
ALLIED COMMERCIAL SPLIT SYSTEMS

www.allied-commercial.com

SPLIT SYSTEM UNITS — UPFLOW/HORIZONTAL — R-410A — 60 HZ

AIR HANDLERS — TAA

- Up to 11.7 EER
- 6, 7.5, 10, 12.5, 15 and 20 nominal tons
- Optional electric heat – 10 to 50 kW
- Convertible up-flow or horizontal design
- 50/50 face split coil
- Heavy-duty belt drive blower motors
- Equipped with single circuit for 6 ton and dual circuit for 7.5 - 20 ton
- Optional accessories include low or high static blower drives, freestat, corrosion protection, float switch and return air grilles
- Optional indoor air quality choices include a disposable MERV 10 or 16 filter, Healthy Climate® UVC germicidal light kits and an economizer damper section
- Electric heat section furnished in a separate add-on matching cabinet



180-240 Models



072-090-120-150 Models

– E.&O.E. – All Prices F.O.B. Our Warehouse – Subject to Change Without Notice – All Taxes Extra – May not be Available at All Branches –