

LOUVERS & DAMPERS



ECCO™ is proud to be a member of:



SMACNA
Sheet Metal and Air
Conditioning Contractors'
National Association
www.smacna.org



HRAI
Heating, Refrigeration and
Air Conditioning
Institute of Canada
www.hrai.ca



HARDI
Heating, Air-conditioning
& Refrigeration
Distributors International
www.hardinet.org



ADI
Air
Distribution
Institute
www.steelduct.org



AD
Affiliated Distributors™
www.adhq.com



CME
Canadian
Manufacturers &
Exporters
www.cme-mec.ca



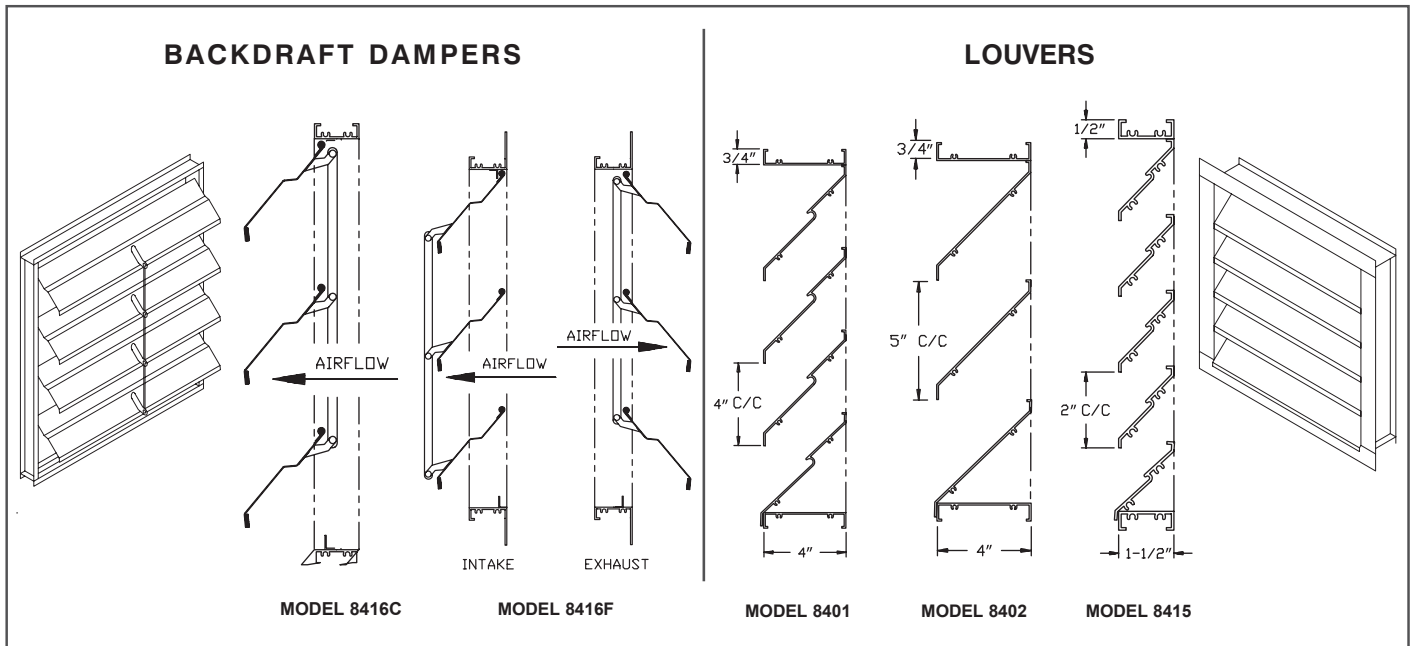
SPIDA
Spiral Duct
Manufacturers
Association
www.spida.org

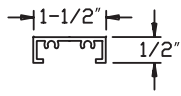
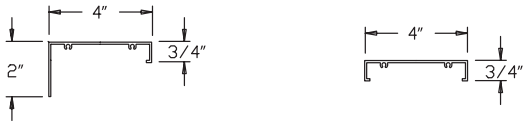
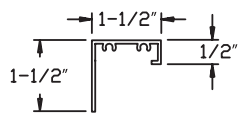
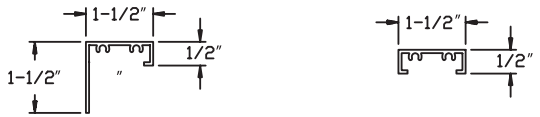


INDEX

BALANCING DAMPERS.....	A6-4
LOUVERED PENTHOUSES	
MITRED CORNER.....	A6-5
MULLION CORNER	A6-5
LOUVERS AND BACKDRAFT DAMPERS.....	A6-3

LOUVERS AND BACKDRAFT DAMPERS



<p>MODEL 8416C</p>  <p>CHANNEL FRAME</p>	<p>MODEL 8401/8402</p>  <p>FLANGE FRAME CHANNEL FRAME</p>	
<p>MODEL 8416F</p>  <p>FLANGE FRAME</p>	<p>MODEL 8415</p>  <p>FLANGE FRAME CHANNEL FRAME</p>	

SPECIFY FOR ORDERING

- Flange or Channel Frame
- 4" or 2" Deep
- Blade Type, eg.: 8401 — Weather Blade Intake
8402 — Straight Blade Exhaust

ALLOY

Model 8401/8402 (6063 — T5 Extruded Aluminum .080)
Model 8415/8416 (6063 — T5 Extruded Aluminum .070)

BLADES

Fixed at 45°, Secured with Cadmium Plated Screws (welding optional)

SCREEN

16 Gauge 1/2" × 1/2" Galvanized Screen, Fixed to Rear of Louver with Cadmium Plated Screws

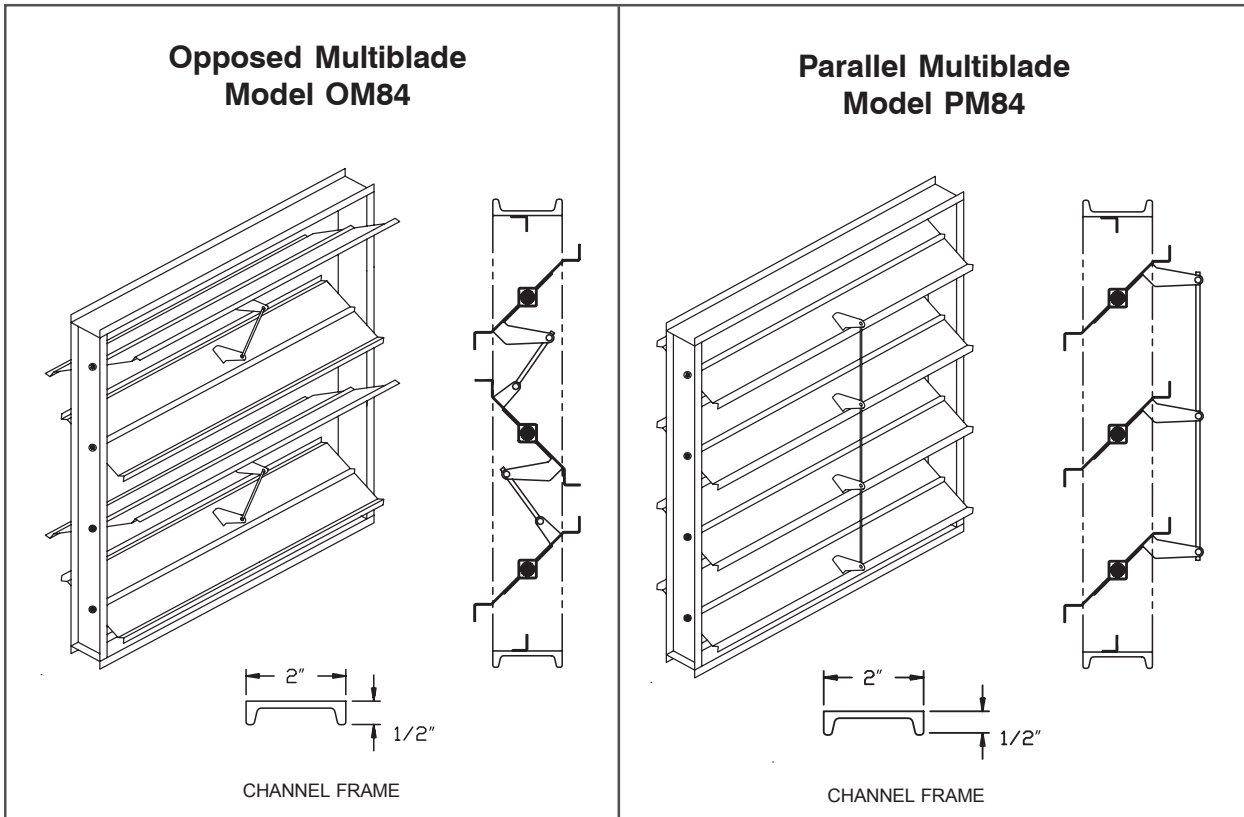
FINISH

Standard — Mill Finish

***** PRICE ON APPLICATION *****

— E.&O.E. — Subject to Change Without Notice — May Not Be Available At All Locations —

BALANCING DAMPERS



BLADES	Up to 18" Wide — 20 Gauge Over 18" Wide — 16 Gauge
FINISH	Standard — Galvanized
FRAMES	1/2" x 2" x 1/2" Welded Steel Channel
BEARINGS	Standard — Pressed Oilite Bronze Bushings Optional — Ball Bearings or Nylon Bushings
LINKAGE	Blades Interconnected with 1/4" Rod, Duro Dyne Hardware
OPERATION	Standard — Extended Shaft for Control (manual or automatic)
SIZES	Blades maximum 10" wide x 48" long Supplied in multiples to suit all openings

* * * PRICE ON APPLICATION * * *

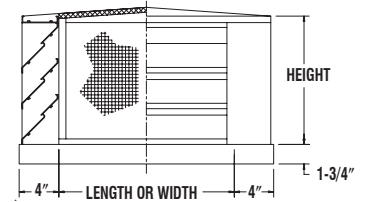
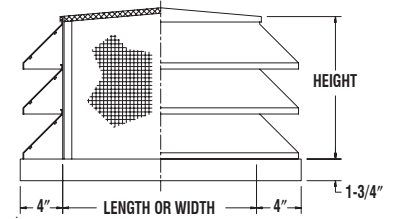
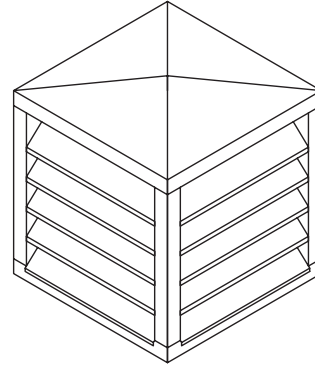
- E.&O.E. - Subject to Change Without Notice - May Not Be Available At All Locations -

LOUVERED PENTHOUSES

MITRED CORNER PENTHOUSE

General Data

The Mitred Corner Penthouse is available with the three styles of louver blades: 8401, 8402, and 8415. Welded and mitred corners provide an attractive horizontal line. Blades and sills are manufactured from extruded aluminum 6063-T5; minimum cross section .081" (2 mm). The .081" (2 mm) formed aluminum roof is lined with a 1/2" (13 mm) fiberglass insulation and vapour barrier.



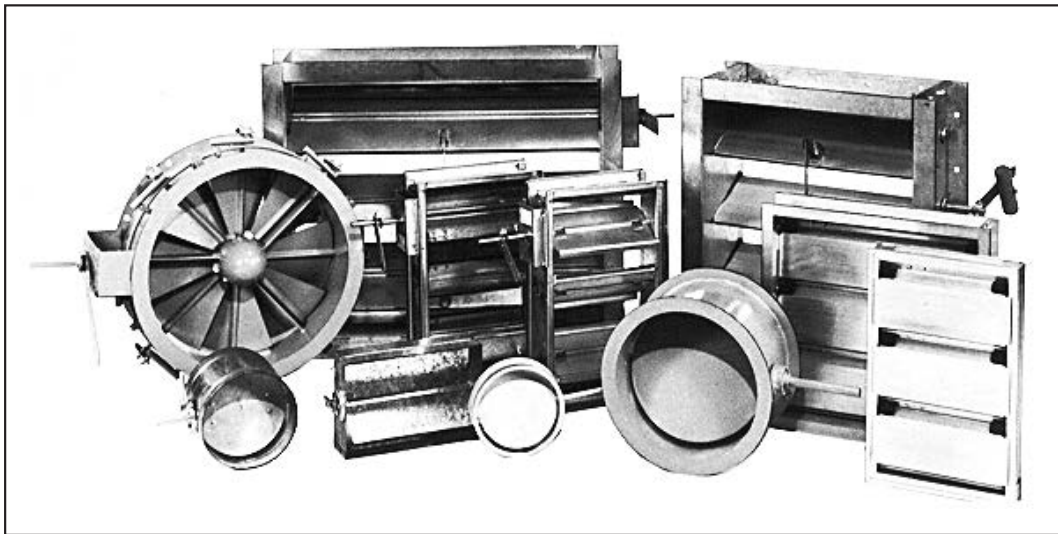
MULLION CORNER PENTHOUSE

General Data

Available in the three styles of louver blades: 8401, 8402, and 8415. Structural frame and mullion corners provide an exceptionally strong structure where heavy snow loads are a critical factor. The .081" (2 mm) formed aluminum roof is lined with a 1/2" (13 mm) fiberglass insulation and vapour barrier.

*** PRICE ON APPLICATION ***

Contact your ECCO™ sales representative for specifications and specialty Dampers and Louvers



Dampers

- Commercial Dampers
- Industrial Dampers
- Galvanized, Aluminum or Stainless Steel Construction

Louvers

- Specialty Louvers
- Sightproof
- Vertical Blade
- Sunscreen
- Acoustical

– E.&O.E. – Subject to Change Without Notice – May Not Be Available At All Locations –



www.eccomfg.com

Langley Distribution

19860 Fraser Highway
Langley, British Columbia
Canada V3A 4C9

Phone: 604-530-4151
Toll Free: 1-877-955-4805
Fax: 604-533-9335

Calgary Distribution

21 – 11150 38th Street, S.E.
Calgary, Alberta
Canada T2C 2Z6

Phone: 403-720-0895
Toll Free: 1-877-955-4815
Fax: 403-720-0897

Kent Distribution

20001 87th Ave. S, Bldg E
Kent, Washington
USA 98031

Phone: 253-872-3721
Toll Free: 1-800-207-6859
Fax: 253-872-3724