

BASE CANS, PLENUMS, FILTER FRAMES and BASES



ECCO™ is proud to be a member of:



SMACNA
Sheet Metal and Air
Conditioning Contractors'
National Association
www.smacna.org



HRAI
Heating, Refrigeration and
Air Conditioning
Institute of Canada
www.hrai.ca



HARDI
Heating, Air-conditioning
& Refrigeration
Distributors International
www.hardinet.org



ADI
Air
Distribution
Institute
www.steelduct.org



AD
Affiliated Distributors™
www.adhq.com



CME
Canadian
Manufacturers &
Exporters
www.cme-mec.ca



SPIDA
Spiral Duct
Manufacturers
Association
www.spida.org



BASE CANS, PLENUMS, FILTER FRAMES AND BASES

INDEX

BASE CAN END CAP	A2-5
BASE CAN RAIL — GALVANIZED	A2-5
BASE CANS	
1" INSULATED	A2-4
2" INSULATED	A2-4
STANDARD	A2-3
DEDICATED ELECTRONIC AIR CLEANER FILTER FRAMES (HONEYWELL).....	A2-15
DEDICATED ELECTRONIC AIR CLEANER FILTER FRAMES (WHITE-RODGERS).....	A2-15
DUCT TRANSITIONS — AIR CLEANERS.....	A2-15
FILTER ACCESS DOORS.....	A2-15
FILTER BASE — FRESH AIR	A2-16
FILTER BASES	
FILTER BASES — ECONOMY.....	A2-17
FILTER BASES — FAN COIL.....	A2-16
FILTER BASES — MULTI-POSITION	A2-17
FILTER FRAMES	
1" WIDE WITH DOOR	A2-12
2" WIDE WITH 2" DOOR.....	A2-12
3" WIDE WITH 1" DOOR.....	A2-12
4-1/4" WIDE WITH 3-1/2" DOOR.....	A2-13
6-3/4" WIDE, FLANGE OUT AT 90 WITH 5" DOOR.....	A2-14
6-3/4" WIDE WITH 1" DOOR.....	A2-13
6-3/4" WIDE WITH 4" DOOR	A2-13
7" WIDE WITH CLIP ON DOOR	A2-14
FLANGE OUT AT 90 WITH 1" DOOR	A2-14
FURNACE COIL ADAPTERS.....	A2-9
FURNACE FILTER RACK — DOWNFLOW.....	A2-17
FURNACE PLENUMS	
1/2" INSULATED — 3 SIDED	A2-9
1" INSULATED.....	A2-9
2" INSULATED.....	A2-9
STANDARD — WITH CAP.....	A2-5 – A2-8
PLENUM TAKE OFFS (UNASSEMBLED).....	A2-10 – A2-11

LEGEND

NOTE: The boxed columns throughout the tables are intended to provide a quick determination of ordering dimensions.

ABBREVIATIONS: CTN/QTY = Carton Quantity
 WT/100 = Weight per 100 Pieces
 WT/100 FT = Weight per 100 Feet
 FT/BNDL = Feet per Bundle

– E.&O.E. – Subject to Change Without Notice – May Not Be Available At All Locations –



BASE CANS, PLENUMS, FILTER FRAMES AND BASES

BASE CANS — STANDARD

18 Base Can

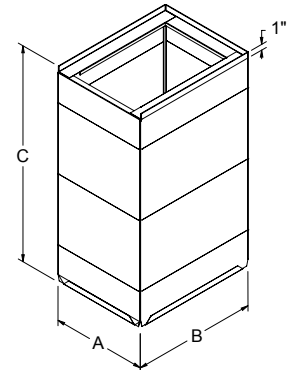
ITEM #	SIZE (")	A (")	B (")	C (")	GA	CTN/QTY	WT/100
010101	14-5/8 × 22	14-5/8	22	18	26	*	1383
010102	15-3/4 × 22	15-3/4	22	18	26	*	1482
010104	17-5/8 × 22	17-5/8	22	18	26	*	1513
010202	19-3/4 × 22	19-3/4	22	18	26	*	2095
010107	21-1/2 × 22	21-1/2	22	18	26	*	1665
010108	22-5/8 × 22	22-5/8	22	18	26	*	1710
010110	24-3/4 × 22	24-3/4	22	18	26	*	1817
010111	22-1/4 × 24	22-1/4	24	18	26	*	1874
010228	14-5/8 × 28-1/4	14-5/8	28-1/4	18	26	*	2200
010117	17-5/8 × 28-1/4	17-5/8	28-1/4	18	26	*	1766
010112	19-3/4 × 28-1/4	19-3/4	28-1/4	18	26	*	1855
010208	21-1/2 × 28-1/4	21-1/2	28-1/4	18	26	*	2594
010123	24-3/4 × 28-1/4	24-3/4	28-1/4	18	26	*	2096



*Product shipped individually.

24 Base Can

ITEM #	SIZE (")	A (")	B (")	C (")	GA	CTN/QTY	WT/100
010160	14-5/8 × 22	14-5/8	22	24	26	*	1659
010162	17-5/8 × 22	17-5/8	22	24	26	*	1812
010164	21-1/2 × 22	21-1/2	22	24	26	*	1993
010166	24-3/4 × 22	24-3/4	22	24	26	*	2170
010170	14-5/8 × 28-1/4	14-5/8	28-1/4	24	26	*	1706
010172	17-5/8 × 28-1/4	17-5/8	28-1/4	24	26	*	1906
010174	21-1/2 × 28-1/4	21-1/2	28-1/4	24	26	*	2087
010176	24-3/4 × 28-1/4	24-3/4	28-1/4	24	26	*	2217



*Product shipped individually.

36 Base Can

ITEM #	SIZE (")	A (")	B (")	C (")	GA	CTN/QTY	WT/100
010126	14-5/8 × 22	14-5/8	22	36	24	*	2258
010129	17-5/8 × 22	17-5/8	22	36	24	*	2456
010131	19-3/4 × 22	19-3/4	22	36	24	*	2556
010132	21-1/2 × 22	21-1/2	22	36	24	*	2687
010135	24-3/4 × 22	24-3/4	22	36	24	*	2918
010139	14-5/8 × 28-1/4	14-5/8	28-1/4	36	24	*	2635
010142	17-5/8 × 28-1/4	17-5/8	28-1/4	36	24	*	2844
010137	19-3/4 × 28-1/4	19-3/4	28-1/4	36	24	*	2977
010145	21-1/2 × 28-1/4	21-1/2	28-1/4	36	24	*	3089
010148	24-3/4 × 28-1/4	24-3/4	28-1/4	36	24	*	3333

*Product shipped individually.

– E.&O.E. – Subject to Change Without Notice – May Not Be Available At All Locations –



BASE CANS, PLENUMS, FILTER FRAMES AND BASES

BASE CANS — 1" INSULATED

24 Base Can

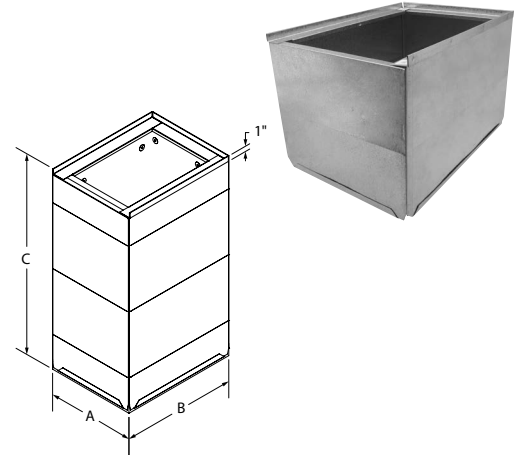
ITEM #	SIZE (")	A (")	B (")	C (")	GA	CTN/QTY	WT/100
010002	14-5/8 × 22	14-5/8	22	24	26	*	1802
010004	17-5/8 × 22	17-5/8	22	24	26	*	1922
010006	21-1/2 × 22	21-1/2	22	24	26	*	2140
010008	24-3/4 × 22	24-3/4	22	24	26	*	2264

*Product shipped individually.

36 Base Can

ITEM #	SIZE (")	A (")	B (")	C (")	GA	CTN/QTY	WT/100
010012	14-5/8 × 22	14-5/8	22	36	26	*	2304
010014	17-5/8 × 22	17-5/8	22	36	26	*	2556
010016	21-1/2 × 22	21-1/2	22	36	26	*	2834
010018	24-3/4 × 22	24-3/4	22	36	26	*	2992

*Product shipped individually.



BASE CANS — 2" INSULATED

18 Base Can

ITEM #	SIZE (")	A (")	B (")	C (")	GA	CTN/QTY	WT/100
010219	17-5/8 × 28-1/4	17-5/8	28-1/4	18	26	*	1800

*Product shipped individually.

36 Base Can

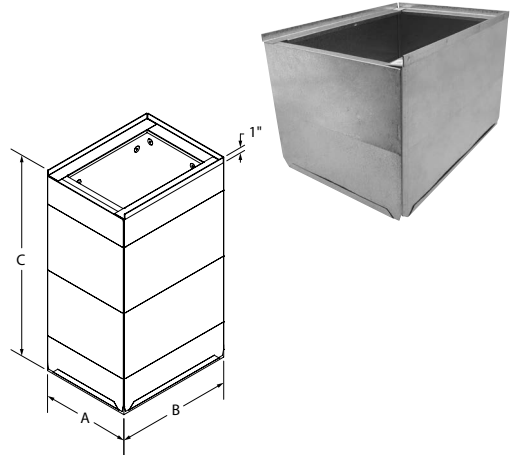
ITEM #	SIZE (")	A (")	B (")	C (")	GA	CTN/QTY	WT/100
010226	14-5/8 × 22	14-5/8	22	36	24	*	3200
010229	17-5/8 × 22	17-5/8	22	36	24	*	3500
010232	21-1/2 × 22	21-1/2	22	36	24	*	4300

*Product shipped individually.

48 Base Can

ITEM #	SIZE (")	A (")	B (")	C (")	GA	CTN/QTY	WT/100
010265	17-3/4 × 21	17-3/4	21	48	24	*	3142
010238	14-5/8 × 22	14-5/8	22	48	24	*	4200
010240	17-5/8 × 22	17-5/8	22	48	24	*	4650
010244	21-1/2 × 22	21-1/2	22	48	24	*	5100

*Product shipped individually.



-E.&O.E. - Subject to Change Without Notice - May Not Be Available At All Locations -

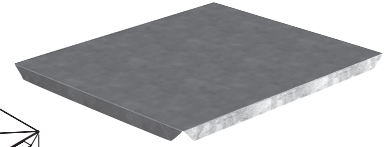
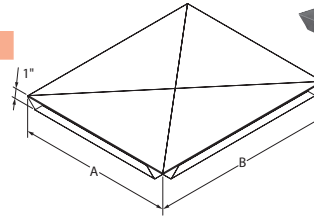


BASE CANS, PLENUMS, FILTER FRAMES AND BASES

BASE CAN END CAP

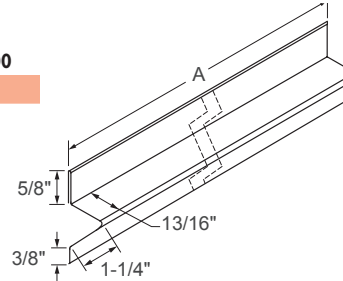
ITEM #	SIZE (")	A (")	B (")	PCS/BNDL	WT/100
010285	17-3/4 x 21	17-3/4	21	*	258

*Product shipped individually.



BASE CAN RAIL — GALVANIZED

ITEM #	SIZE (")	A (")	GA	PCS/BNDL	WT/100
010260	5 ft.	60	26	10	151

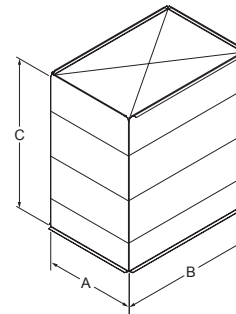


FURNACE PLENUMS — STANDARD — WITH CAP

23 Plenum

ITEM #	SIZE (")	A (")	B (")	C (")	CTN/QTY	WT/100
010490	13-3/4 x 11-1/4	13-3/4	11-1/4	23	*	974
010491	17-3/4 x 11-1/4	17-3/4	11-1/4	23	*	1133
010492	20-1/4 x 11-1/4	20-1/4	11-1/4	23	*	1232
010472	12-3/4 x 19-7/8	12-3/4	19-7/8	23	*	1069
010473	16-1/4 x 19-7/8	16-1/4	19-7/8	23	*	1178
010474	19-3/4 x 19-7/8	19-3/4	19-7/8	23	*	1287
010475	23-1/4 x 19-7/8	23-1/4	19-7/8	23	*	1396
010489	17-3/4 x 20	17-3/4	20	23	*	1473
010485	13-1/2 x 20-1/4	13-1/2	20-1/4	23	*	1104
010486	16-1/2 x 20-1/4	16-1/2	20-1/4	23	*	1197
010487	20 x 20-1/4	20	20-1/4	23	*	1306
010488	23-1/2 x 20-1/4	23-1/2	20-1/4	23	*	1416

*Product shipped individually.



– E.&O.E. – Subject to Change Without Notice – May Not Be Available At All Locations –



BASE CANS, PLENUMS, FILTER FRAMES AND BASES

FURNACE PLENUMS — STANDARD — WITH CAP (cont'd)

35 Plenum

ITEM #	SIZE (")	A (")	B (")	C (")	CTN/QTY	WT/100
010497	13 x 13	13	13	35	*	1398
010498	18-1/2 x 13	18-1/2	13	35	*	1700
010499	21-1/2 x 13	21-1/2	13	35	*	1864
010503	19-1/4 x 19-3/4	19-1/4	19-3/4	35	*	1890
010500	12-3/4 x 19-7/8	12-3/4	19-7/8	35	*	1589
010502	16-1/4 x 19-7/8	16-1/4	19-7/8	35	*	1751
010510	13 x 20	13	20	35	*	1606
010512	18-1/2 x 20	18-1/2	20	35	*	1861
010514	21-1/4 x 20	21-1/4	20	35	*	1988
010520	13-1/2 x 20-1/4	13-1/2	20-1/4	35	*	1641
010522	16-1/2 x 20-1/4	16-1/2	20-1/4	35	*	1779
010524	20 x 20-1/4	20	20-1/4	35	*	1942
010526	23-1/2 x 20-1/4	23-1/2	20-1/4	35	*	2104
010542	16 x 25	16	25	35	*	1861

*Product shipped individually.

47 Plenum

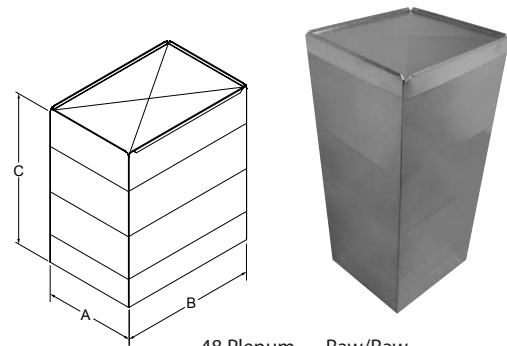
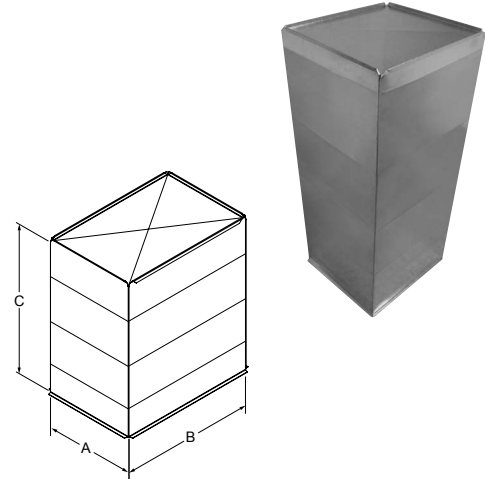
ITEM #	SIZE (")	A (")	B (")	C (")	CTN/QTY	WT/100
010389	13 x 19	13	19	47	*	2252
010391	14 x 19	16	19	47	*	2352
010387	16 x 19	16	19	47	*	2473
010393	18 x 19	18	19	47	*	2633
010392	16-1/4 x 19-1/4	16-1/4	19-1/4	47	*	3112
010395	19 x 20	19	20	47	*	2767
010390	13-1/2 x 20-1/4	13-1/2	20-1/4	47	*	2365
010394	20 x 20-1/4	20	20-1/4	47	*	2848
010398	23-1/2 x 20-1/4	23-1/2	20-1/4	47	*	3109
010388	16-1/2 x 21	16-1/2	21	47	*	2654
010396	19 x 21	19	21	47	*	2840
010399	20 x 21	20	21	47	*	2900
010397	19 x 23	19	23	47	*	2988

*Product shipped individually.

48 Plenum — Raw/Raw

ITEM #	SIZE (")	A (")	B (")	C (")	CTN/QTY	WT/100
010628	17-1/4 x 20	17-1/4	20	48	*	2625

*Product shipped individually.



48 Plenum — Raw/Raw

– E.&O.E. – Subject to Change Without Notice – May Not Be Available At All Locations –



BASE CANS, PLENUMS, FILTER FRAMES AND BASES

FURNACE PLENUMS — STANDARD — WITH CAP (cont'd)

54 Plenum

ITEM #	SIZE (")	A (")	B (")	C (")	CTN/QTY	WT/100
010551	17-5/8 x 18-5/8	17-5/8	18-5/8	54	*	2884
010548	14-1/4 x 18-3/4	14-1/4	18-3/4	54	*	2622
010556	13-1/2 x 19-3/4	13-1/2	19-3/4	54	*	2565
010409	13-3/4 x 19-3/4	13-3/4	19-3/4	54	*	2565
010557	16-1/2 x 19-3/4	16-1/2	19-3/4	54	*	2785
010410	16-3/4 x 19-3/4	16-3/4	19-3/4	54	*	2806
010558	20 x 19-3/4	20	19-3/4	54	*	3065
010411	20-1/4 x 19-3/4	20-1/4	19-3/4	54	*	3166
010559	23-1/2 x 19-3/4	23-1/2	19-3/4	54	*	3344
010412	23-3/4 x 19-3/4	23-3/4	19-3/4	54	*	3525
010561	13-1/8 x 20	13-1/8	20	54	*	2624
010563	18-5/8 x 20	18-5/8	20	54	*	3080
010564	21-3/8 x 20	21-3/8	20	54	*	3308
010552	18-5/8 x 21-1/4	18-5/8	21-1/4	54	*	3182
010553	18-5/8 x 23	18-5/8	23	54	*	3326

*Product shipped individually.

56 Plenum

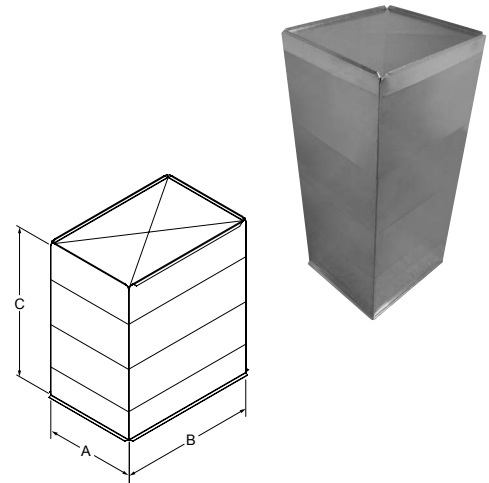
ITEM #	SIZE (")	A (")	B (")	C (")	CTN/QTY	WT/100
010470	17-1/4 x 17-1/4	17-1/4	17-1/4	56	*	2855

*Product shipped individually.

59 Plenum

ITEM #	SIZE (")	A (")	B (")	C (")	CTN/QTY	WT/100
010566	14-1/4 x 18-3/4	14-1/4	18-3/4	59	*	2836
010567	17-3/4 x 18-3/4	17-3/4	18-3/4	59	*	3146
010569	21-1/2 x 18-3/4	21-1/2	18-3/4	59	*	3478
010570	23-1/4 x 18-3/4	23-1/4	18-3/4	59	*	3662
010447	12-5/8 x 19-1/4	12-5/8	19-1/4	59	*	2735
010449	19-1/2 x 19-1/4	19-1/2	19-1/4	59	*	3346
010453	23 x 19-1/4	23	19-1/4	59	*	3657
010404	13-3/4 x 19-3/4	13-3/4	19-3/4	59	*	2854
010571	13-1/4 x 19-3/4	13-1/4	19-3/4	59	*	2833
010448	16 x 19-3/4	16	19-3/4	59	*	3035
010402	16-3/4 x 19-3/4	16-3/4	19-3/4	59	*	3119
010572	16-1/4 x 19-3/4	16-1/4	19-3/4	59	*	3100
010573	19-3/4 x 19-3/4	19-3/4	19-3/4	59	*	3413
010405	20-1/4 x 19-3/4	20-1/4	19-3/4	59	*	3429
010574	23-1/4 x 19-3/4	23-1/4	19-3/4	59	*	3724
010406	16-1/2 x 20-1/8	16-1/2	20-1/8	59	*	2998
010408	23-1/2 x 20-1/8	23-1/2	20-1/8	59	*	3590
010464	17 x 20-1/4	17	20-1/4	59	*	3185
010465	20 x 20-1/4	20	20-1/4	59	*	3451
010466	24 x 20-1/4	24	20-1/4	59	*	3807
010576	13 x 20-1/2	13	20-1/2	59	*	2880
010452	19-3/4 x 20-1/2	19-3/4	20-1/2	59	*	3479
010579	20-1/2 x 20-1/2	20-1/2	20-1/2	59	*	3546

*Product shipped individually.



- E.&O.E. - Subject to Change Without Notice - May Not Be Available At All Locations -



BASE CANS, PLENUMS, FILTER FRAMES AND BASES

FURNACE PLENUMS — STANDARD — WITH CAP (cont'd)

62 Plenum

ITEM #	SIZE (")	A (")	B (")	C (")	CTN/QTY	WT/100
010593	13-1/8 x 19-3/4	13-1/8	19-3/4	62	*	2950
010595	16-3/8 x 19-3/4	16-3/8	19-3/4	62	*	3253
010597	19-7/8 x 19-3/4	19-7/8	19-3/4	62	*	3578
010599	23-3/8 x 19-3/4	23-3/8	19-3/4	62	*	3903

*Product shipped individually.

66 Plenum

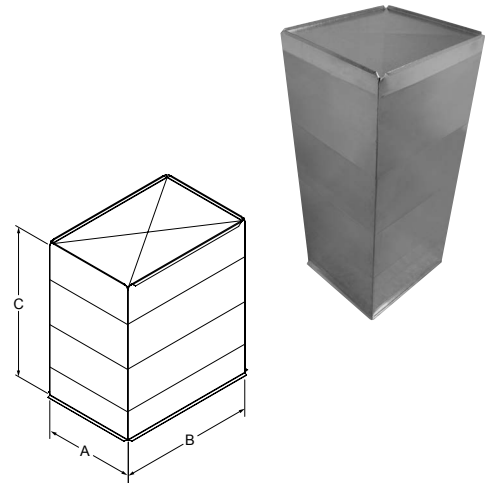
ITEM #	SIZE (")	A (")	B (")	C (")	CTN/QTY	WT/100
010590	17-3/4 x 18-3/4	17-3/4	18-3/4	66	*	3488
010591	21-1/4 x 18-3/4	21-1/4	18-3/4	66	*	3829
010581	13-1/4 x 19-3/4	13-1/4	19-3/4	66	*	3143
010582	16-1/4 x 19-3/4	16-1/4	19-3/4	66	*	3433
010586	16-3/4 x 19-3/4	16-3/4	19-3/4	66	*	3458
010583	19-3/4 x 19-3/4	19-3/4	19-3/4	66	*	3776
010588	20-1/4 x 19-3/4	20-1/4	19-3/4	66	*	3802
010584	23-1/4 x 19-3/4	23-1/4	19-3/4	66	*	4118
010587	23-3/4 x 19-3/4	23-3/4	19-3/4	66	*	4168
010608	16-1/2 x 20-1/8	16-1/2	20-1/8	66	*	3520
010610	16-5/8 x 20-1/4	16-5/8	20-1/4	66	*	3214
010613	20 x 20-1/8	20	20-1/8	66	*	3830
010615	20-1/8 x 20-1/4	20-1/8	20-1/4	66	*	3504
010618	23-1/2 x 20-1/8	23-1/2	20-1/8	66	*	3940
010620	23-5/8 x 20-1/4	23-5/8	20-1/4	66	*	3795

*Product shipped individually.

72 Plenum

ITEM #	SIZE (")	A (")	B (")	C (")	CTN/QTY	WT/100
010418	12-1/2 x 19-1/4	12-1/2	19-1/4	72	*	3294
010421	14-3/4 x 19-1/4	14-3/4	19-1/4	72	*	3531
010438	20 x 19-1/4	20	19-1/4	72	*	4083
010420	13-3/4 x 19-3/4	13-3/4	19-3/4	72	*	3430
010429	16-1/4 x 19-3/4	16-1/4	19-3/4	72	*	3741
010422	16-3/4 x 19-3/4	16-3/4	19-3/4	72	*	3745
010436	19-3/4 x 19-3/4	19-3/4	19-3/4	72	*	4110
010423	20-1/4 x 19-3/4	20-1/4	19-3/4	72	*	4110
010424	20-1/2 x 19-3/4	20-1/2	19-3/4	72	*	4112
010442	23-1/4 x 19-3/4	23-1/4	19-3/4	72	*	4480
010428	23-3/4 x 19-3/4	23-3/4	19-3/4	72	*	4422
010432	13-1/4 x 20-1/4	13-1/4	20-1/4	72	*	3428
010433	17 x 20-1/4	17	20-1/4	72	*	3823
010434	20 x 20-1/4	20	20-1/4	72	*	4139
010435	24 x 20-1/4	24	20-1/4	72	*	4559
010430	16-1/4 x 20-1/2	16-1/4	20-1/2	72	*	3743
010425	19-3/4 x 21-3/4	19-3/4	21-3/4	72	*	4188

*Product shipped individually.



-E.&O.E. - Subject to Change Without Notice - May Not Be Available At All Locations -



BASE CANS, PLENUMS, FILTER FRAMES AND BASES

FURNACE PLENUMS — 1" INSULATED

23 Plenum

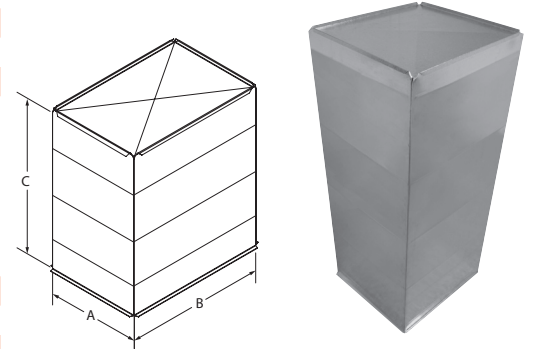
ITEM #	SIZE (")	A (")	B (")	C (")	PCS/BNDL	WT/100
010670	13-1/2 × 20-1/4	13-1/2	20-1/4	23	*	1304
010672	16-1/2 × 20-1/4	16-1/2	20-1/4	23	*	1438
010674	20 × 20-1/4	20	20-1/4	23	*	1608
010676	23-1/2 × 20-1/4	23-1/2	20-1/4	23	*	1746

*Product shipped individually.

35 Plenum

ITEM #	SIZE (")	A (")	B (")	C (")	CTN/QTY	WT/100
010680	13-1/2 × 20-1/4	13-1/2	20-1/4	35	*	1828
010682	16-1/2 × 20-1/4	16-1/2	20-1/4	35	*	2006
010684	20 × 20-1/4	20	20-1/4	35	*	2214
010686	23-1/2 × 20-1/4	23-1/2	20-1/4	35	*	2420

*Product shipped individually.



FURNACE PLENUMS — 2" INSULATED

23 Plenum

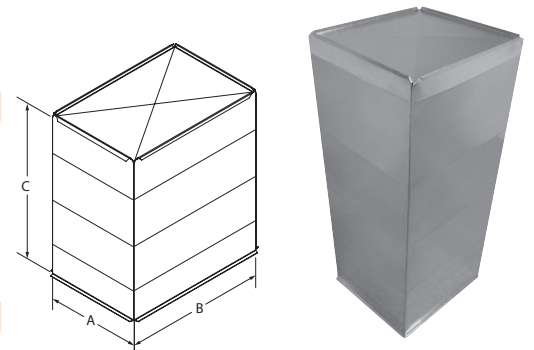
ITEM #	SIZE (")	A (")	B (")	C (")	PCS/BNDL	WT/100
010630	13-1/2 × 20	13-1/2	20	23	*	1500
010632	16 × 20	16	20	23	*	1650

*Product shipped individually.

36 Plenum

ITEM #	SIZE (")	A (")	B (")	C (")	CTN/QTY	WT/100
010650	13-1/2 × 20-1/4	13-1/2	20-1/4	36	*	1700

*Product shipped individually.

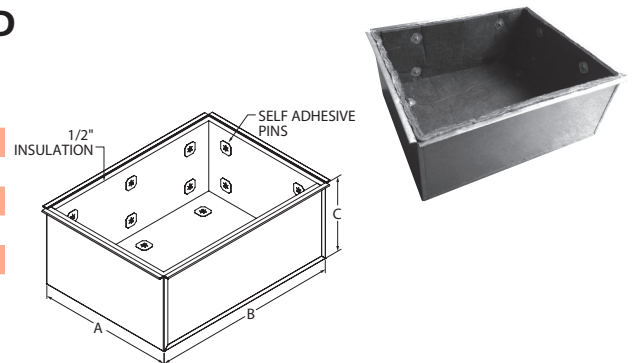


FURNACE PLENUMS — 1/2" INSULATED — 3 SIDED

8 Plenum

ITEM #	SIZE (")	A (")	B (")	C (")	CTN/QTY	WT/100
010352	14-1/2 × 20	14-1/2	20	8	*	650
010344	16 × 25	16	25	8	*	800
010350	16-1/2 × 20	16-1/2	20	8	*	700
010348	20 × 20	20	20	8	*	775
010340	20 × 25	20	25	8	*	925

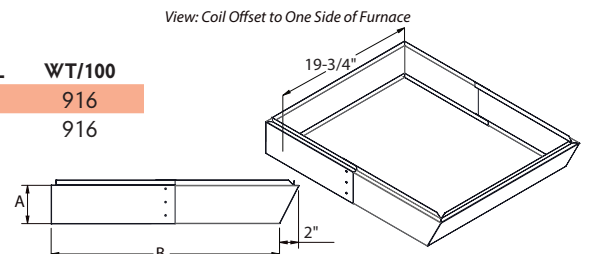
*Product shipped individually.



FURNACE COIL ADAPTERS

ITEM #	SIZE (")	DESCRIPTION	A (")	B (")	EXTENDED (")	PCS/BNDL	WT/100
010690	13-1/2 × 20	R/L	4	13-1/2	24-1/2	*	916
010691	16 × 20	A/S	4	13-1/2	14-1/2	*	916

*Product shipped individually.



—E.&O.E.— Subject to Change Without Notice — May Not Be Available At All Locations —

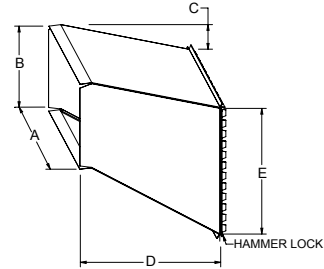


BASE CANS, PLENUMS, FILTER FRAMES AND BASES

PLENUM TAKE OFFS (UNASSEMBLED)

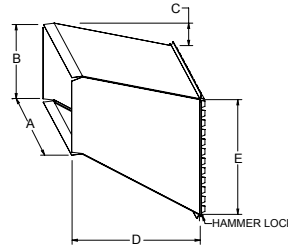
4" Rise

ITEM #	SIZE (")	A (")	B (")	C (")	D (")	E (")	CTN/QTY	WT/100
010885	8 x 8	8	8	4	12	12	10	340
011085	10 x 8	10	8	4	12	12	10	380
011285	12 x 8	12	8	4	12	12	10	410
011485	14 x 8	14	8	4	12	12	10	450
011685	16 x 8	16	8	4	12	12	10	480
011885	18 x 8	18	8	4	12	12	10	520
012085	20 x 8	20	8	4	12	12	10	550
012510	10 x 10	10	10	4	12	15	10	420
012512	12 x 10	12	10	4	12	15	10	440
012514	14 x 10	14	10	4	12	15	10	480
012516	16 x 10	16	10	4	12	15	10	470
012518	18 x 10	18	10	4	12	15	10	540
012520	20 x 10	20	10	4	12	15	10	560



2" Rise

ITEM #	SIZE (")	A (")	B (")	C (")	D (")	E (")	CTN/QTY	WT/100
010882	8 x 8	8	8	2	12	12	10	330
011082	10 x 8	10	8	2	12	12	10	340
011282	12 x 8	12	8	2	12	12	10	380
011482	14 x 8	14	8	2	12	12	10	420
011682	16 x 8	16	8	2	12	12	10	460
011882	18 x 8	18	8	2	12	12	10	460
012082	20 x 8	20	8	2	12	12	10	500

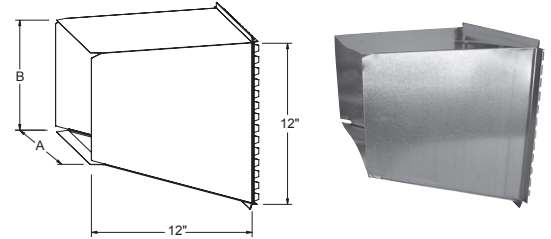


- E.&O.E. - Subject to Change Without Notice - May Not Be Available At All Locations -

PLENUM TAKE OFFS (UNASSEMBLED) *(cont'd)*

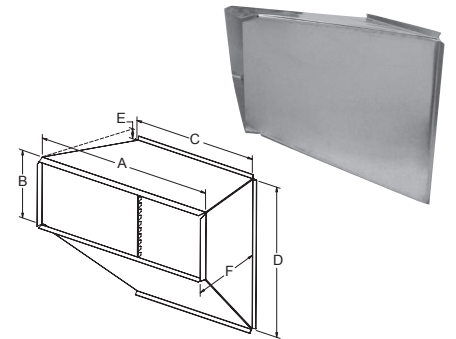
Straight

ITEM #	SIZE (")	A (")	B (")	CTN/QTY	WT/100
011080	10 × 8	10	8	10	330
011280	12 × 8	12	8	10	360
011480	14 × 8	14	8	10	390
011680	16 × 8	16	8	10	420
011880	18 × 8	18	8	10	450
012080	20 × 8	20	8	10	480
012517	18 × 10	20	10	10	460



Tapered — 4" Rise

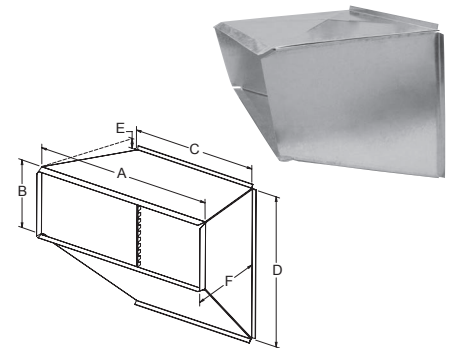
ITEM #	SIZE (")	A (")	B (")	C (")	D (")	E (")	F (")	CTN/QTY	WT/100
011487	14 × 8 to 12 × 14	14	8	12	14	4	12	10	420
011687	16 × 8 to 12 × 16	16	8	12	16	4	12	10	460
011887	18 × 8 to 12 × 18	18	8	12	18	4	15	10	500
012090	20 × 8 to 14 × 18	20	8	14	18	4	15	10	530
012087	20 × 8 to 16 × 15	20	8	16	15	4	15	10	540
012290	22 × 8 to 14 × 18	22	8	14	18	4	15	10	570
012490	24 × 8 to 14 × 20	24	8	14	20	4	15	10	570
012287	22 × 8 to 17 × 15	22	8	17	15	4	15	10	560
012487	24 × 8 to 18 × 16	24	8	18	16	4	15	10	580
012534	14 × 10 to 12 × 18	14	10	12	18	4	15	10	450
011490	14 × 12 to 14 × 18	14	12	14	18	4	15	10	560



NOTE: All parts sold unassembled.

Tapered — 2" Rise

ITEM #	SIZE (")	A (")	B (")	C (")	D (")	E (")	F (")	CTN/QTY	WT/100
011698	16 × 8 to 12 × 14	16	8	12	14	2	12	10	440
011691	16 × 8 to 12 × 16	16	8	12	16	2	12	10	460
011898	18 × 8 to 12 × 16	18	8	12	16	2	12	10	500
011888	18 × 8 to 12 × 18	18	8	12	18	2	15	10	500
012095	20 × 8 to 12 × 18	20	8	12	18	2	15	10	530
012088	20 × 8 to 16 × 15	20	8	16	15	2	15	10	540
012091	20 × 8 to 14 × 18	20	8	14	18	2	15	10	530



NOTE: All parts sold unassembled.

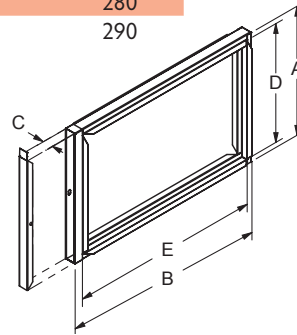


BASE CANS, PLENUMS, FILTER FRAMES AND BASES

FILTER FRAMES — 1" WIDE WITH DOOR

ITEM #	SIZE (")	A (")	B (")	C (")	D (")	E (")	CTN/QTY	WT/100
599640	14 × 25 × 1	14	25	1-1/4	12-3/4	23-1/4	*	258
599627	16 × 20 × 1	16	20	1-1/4	14-3/4	18-1/4	*	270
599629	16 × 25 × 1	16	25	1-1/4	14-3/4	23-1/4	*	280
599642	16-3/4 × 25 × 1	16-3/4	25	1-1/4	14-3/4	23-1/4	*	290
599628	20 × 20 × 1	20	20	1-1/4	18-3/4	18-1/4	*	280
599641	20 × 25 × 1	20	25	1-1/4	18-3/4	23-1/4	*	290

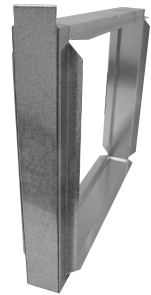
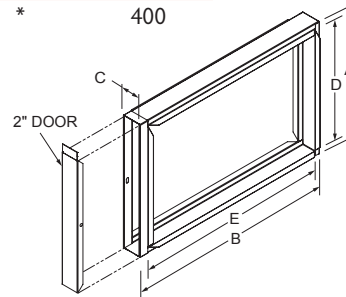
*Product shipped individually.



FILTER FRAMES — 2" WIDE WITH 2" DOOR

ITEM #	SIZE (")	A (")	B (")	C (")	D (")	E (")	CTN/QTY	WT/100
599612	16 × 20 × 2	16	20	2	14-3/4	18-1/4	*	365
599614	16 × 25 × 2	16	25	2	14-3/4	23-1/4	*	380
599613	20 × 20 × 2	20	20	2	18-3/4	18-1/4	*	380
599615	20 × 25 × 2	20	25	2	18-3/4	23-1/4	*	400

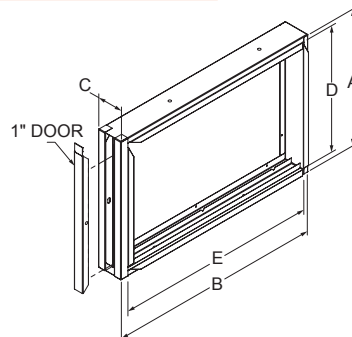
*Product shipped individually.



FILTER FRAMES — 3" WIDE WITH 1" DOOR

ITEM #	SIZE (")	A (")	B (")	C (")	D (")	E (")	CTN/QTY	WT/100
599633	16 × 25 × 3	16	25	3	14-3/4	23-1/4	*	500
599626	20 × 20 × 3	20	20	3	18-3/4	18-1/4	*	500
599634	20 × 25 × 3	20	25	3	18-3/4	23-1/4	*	540

*Product shipped individually.



–E.&O.E. – Subject to Change Without Notice – May Not Be Available At All Locations –

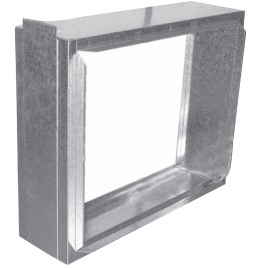
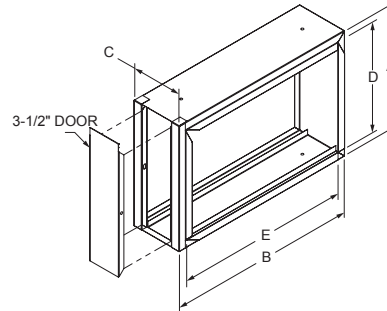


BASE CANS, PLENUMS, FILTER FRAMES AND BASES

FILTER FRAMES — 4-1/4" WIDE WITH 3-1/2" DOOR

ITEM #	SIZE (")	A (")	B (")	C (")	D (")	E (")	CTN/QTY	WT/100
599625	15 × 24 × 4-1/4	16-3/4	25-1/4	4-1/4	14-3/4	23-1/4	*	520

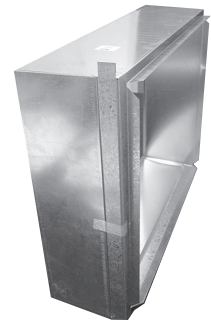
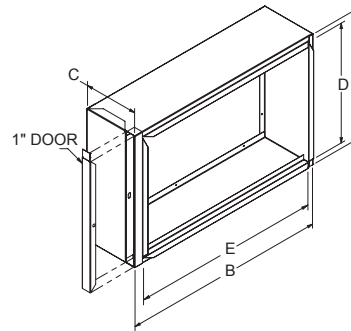
*Product shipped individually.



FILTER FRAMES — 6-3/4" WIDE WITH 1" DOOR

ITEM #	SIZE (")	A (")	B (")	C (")	D (")	E (")	CTN/QTY	WT/100
599635	16 × 25 × 6-3/4	16	25	6-3/4	14-3/4	23-1/4	*	720
599636	20 × 25 × 6-3/4	20	25	6-3/4	18-3/4	23-1/4	*	760

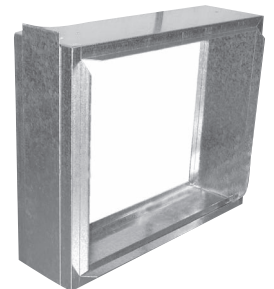
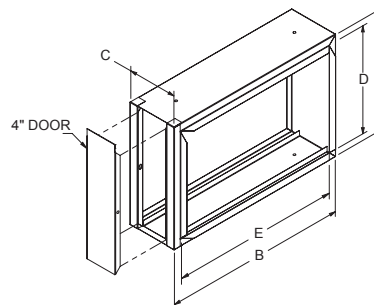
*Product shipped individually.



FILTER FRAMES — 6-3/4" WIDE WITH 4" DOOR

ITEM #	SIZE (")	A (")	B (")	C (")	D (")	E (")	CTN/QTY	WT/100
599637	16 × 25 × 6-3/4	16	25	6-3/4	14-1/4	22-3/4	*	600
599639	20 × 20 × 6-3/4	20	20	6-3/4	18-1/4	17-3/4	*	610
599638	20 × 25 × 6-3/4	20	25	6-3/4	16-1/4	22-3/4	*	650

*Product shipped individually.



– E.&O.E. – Subject to Change Without Notice – May Not Be Available At All Locations –

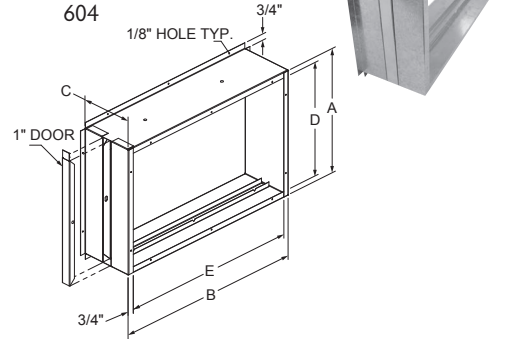


BASE CANS, PLENUMS, FILTER FRAMES AND BASES

FILTER FRAMES — FLANGE OUT AT 90 WITH 1" DOOR

ITEM #	SIZE (")	A (")	B (")	C (")	D (")	E (")	CTN/QTY	WT/100
599586	16 × 25 × 3	16	25	3	14-1/2	23-1/2	*	354
599588	20 × 25 × 3	20	25	3	18-1/2	23-1/2	*	392
599596	16 × 25 × 6	16	25	6-3/4	14-1/2	23-1/2	*	550
599598	20 × 25 × 6	20	25	6-3/4	18-1/2	23-1/2	*	604

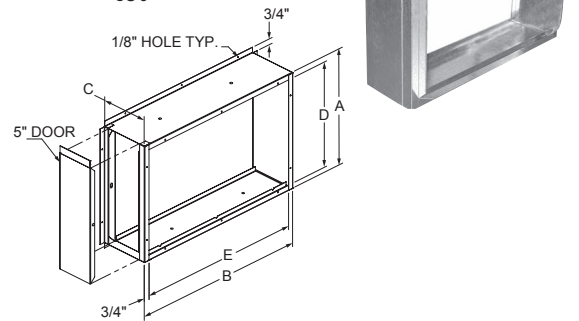
*Product shipped individually.



FILTER FRAMES — 6-3/4" WIDE, FLANGE OUT AT 90 WITH 5" DOOR

ITEM #	SIZE (")	A (")	B (")	C (")	D (")	E (")	CTN/QTY	WT/100
599647	16 × 25 × 6-3/4	16	25	6-3/4	14-1/2	23-1/2	*	600
599648	20 × 25 × 6-3/4	20	25	6-3/4	18-1/2	23-1/2	*	650

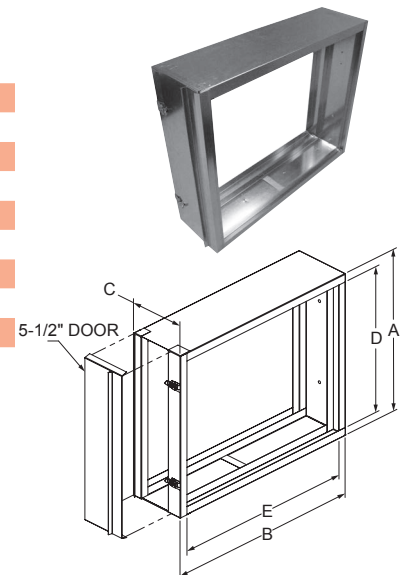
*Product shipped individually.



FILTER FRAMES — 7" WIDE WITH CLIP ON DOOR

ITEM #	SIZE (")	A (")	B (")	C (")	D (")	E (")	CTN/QTY	WT/100
599534	14 × 20 × 7	14	20	7	12	18	*	455
599544	14 × 25 × 7	14	25	7	12	23	*	568
599536	16 × 20 × 7	16	20	7	14	18	*	520
599546	16 × 25 × 7	16	25	7	14	23	*	650
599530	20 × 14 × 7	20	14	7	18	12	*	455
599532	20 × 16 × 7	20	16	7	18	14	*	520
599540	20 × 20 × 7	20	20	7	18	18	*	650
599548	20 × 25 × 7	20	25	7	18	23	*	812
599542	25 × 20 × 7	25	20	7	23	18	*	812

*Product shipped individually.



-E.&O.E. - Subject to Change Without Notice - May Not Be Available At All Locations -

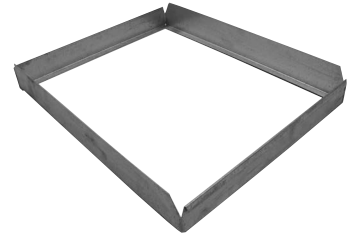
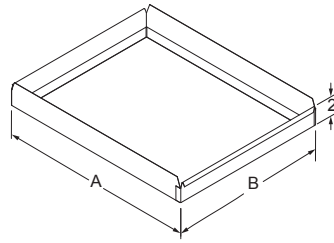


BASE CANS, PLENUMS, FILTER FRAMES AND BASES

DUCT TRANSITIONS — AIR CLEANERS

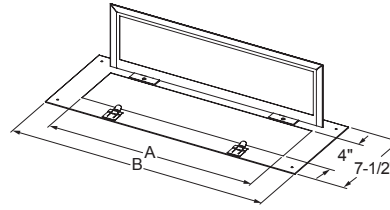
ITEM #	SIZE (")	A (")	B (")	CTN/QTY	WT/100
599618	16 x 20	16	16	*	148

*Product shipped individually.



FILTER ACCESS DOORS

ITEM #	SIZE (")	A (")	B (")	CTN/QTY	WT/100
599622	16	16-1/8	20	25	175
599624	20	20-1/8	24	25	200

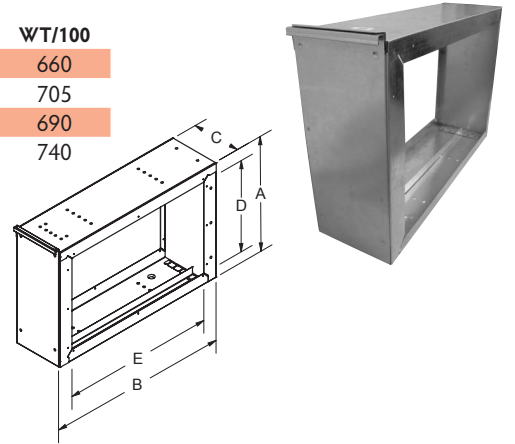


DEDICATED ELECTRONIC AIR CLEANER FILTER FRAMES (HONEYWELL)

ITEM #	SIZE	A (")	B (")	C (")	D (")	E (")	CTN/QTY	WT/100
599643	16 x 20 x 7	16-3/4	21-3/8	7-3/8	13-3/8	17-1/4	*	660
599644	16 x 25 x 7	16-3/4	26-3/8	7-3/8	13-3/8	22-1/4	*	705
599645	20 x 20 x 7	20-3/4	21-3/8	7-3/8	17-3/8	17-1/4	*	690
599646	20 x 25 x 7	20-3/4	26-3/8	7-3/8	17-3/8	22-1/4	*	740

*Product shipped individually.

NOTE: Designed as a spacer to accept standard Pleated Filters up to 6" wide. Also accepts Electronic Air Cleaners.

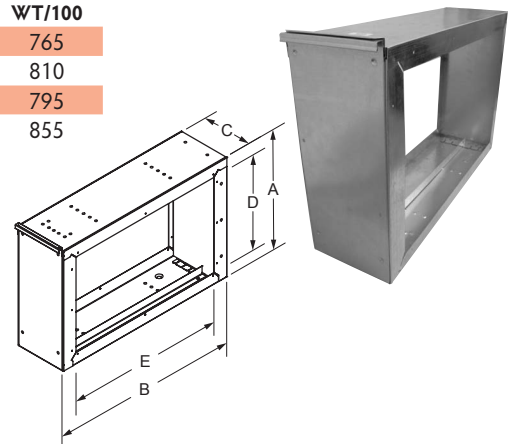


DEDICATED ELECTRONIC AIR CLEANER FILTER FRAMES (WHITE-RODGERS)

ITEM #	SIZE	A (")	B (")	C (")	D (")	E (")	CTN/QTY	WT/100
599663	16 x 20 x 7	16-3/4	21-3/8	7-3/8	13-3/8	17-1/4	*	765
599664	16 x 25 x 7	16-3/4	26-3/8	7-3/8	13-3/8	22-1/4	*	810
599665	20 x 20 x 7	20-3/4	21-3/8	7-3/8	17-3/8	17-1/4	*	795
599666	20 x 25 x 7	20-3/4	26-3/8	7-3/8	17-3/8	22-1/4	*	855

*Product shipped individually.

NOTE: Designed as a spacer to accept standard Pleated Filters up to 6" wide. Also accepts Electronic Air Cleaners.



- E.&O.E. - Subject to Change Without Notice - May Not Be Available At All Locations -

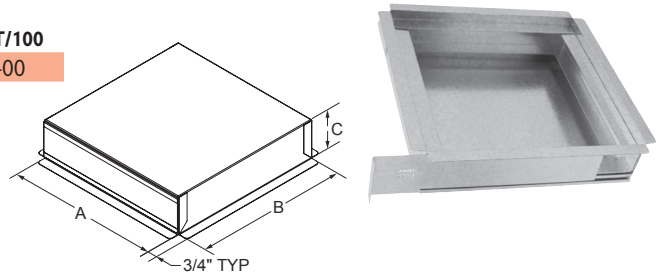


BASE CANS, PLENUMS, FILTER FRAMES AND BASES

FILTER BASE — FRESH AIR

ITEM #	SIZE (")	A (")	B (")	C (")	CTN/QTY	WT/100
599342	12 x 12	12	12	1	*	400

*Product shipped individually.

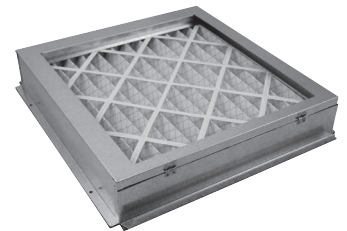


FILTER BASES

1" - 2"

ITEM #	SIZE (")	A (")	B (")	C (")	D (")	E (")	CTN/QTY	WT/100
599354	14 x 25	14-3/8	28-5/8	11-3/4	24	4	*	900
599356	16 x 25	17-5/8	28-5/8	14-1/2	24	4	*	1050
599360	20 x 25	21-5/8	28-5/8	18	24	4	*	1150
599364	24 x 24	24-5/8	28-5/8	21	23-1/8	4	*	1200

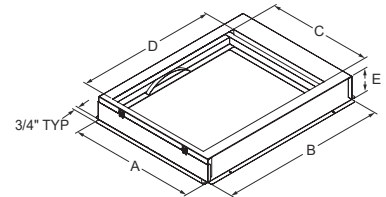
*Product shipped individually.



1" - 4"

ITEM #	SIZE (")	A (")	B (")	C (")	D (")	E (")	CTN/QTY	WT/100
599454	14 x 25	14-3/8	28-5/8	11-3/4	24	6	*	1050
599456	16 x 25	17-5/8	28-5/8	14-1/2	24	6	*	1175
599460	20 x 25	21-5/8	28-5/8	18	24	6	*	1400
599464	24 x 24	24-5/8	28-5/8	21	23-1/8	6	*	1375

*Product shipped individually.

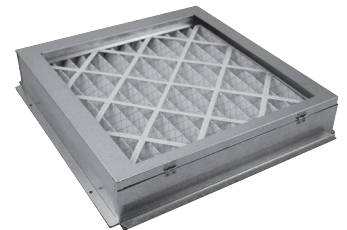


FILTER BASES — FAN COIL

1" - 2"

ITEM #	SIZE (")	A (")	B (")	C (")	D (")	E (")	CTN/QTY	WT/100
599384	14 x 20	14-1/4	22	11-3/4	18-7/8	4	*	700
599386	16 x 20	17-1/2	22	13-7/8	18-7/8	4	*	850
599390	20 x 20	21	22	17-3/8	18-7/8	4	*	925
599392	20 x 20 A	23-1/2	22	18-1/2	19	4	*	1031
599395	25 x 20 Wide	25-3/8	22-1/8	22-1/2	19	4	*	1000
599399	20 x 25 Narrow	21-1/2	25	19-1/2	21-1/2	4	*	925

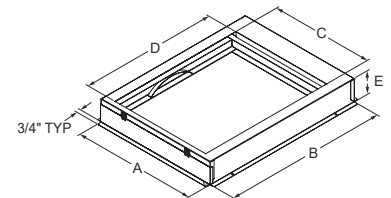
*Product shipped individually.



1" - 4"

ITEM #	SIZE (")	A (")	B (")	C (")	D (")	E (")	CTN/QTY	WT/100
599486	16 x 20	17-1/2	22	13-7/8	18-7/8	6	*	1100
599490	20 x 20	21	22	17-7/8	18-7/8	6	*	1175
599495	25 x 20 Wide	25-3/8	22-1/8	22-1/2	19	6	*	1250
599500	20 x 25 Narrow	21-1/2	25	19-1/2	21-1/2	6	*	1200

*Product shipped individually.



-E.&O.E. - Subject to Change Without Notice - May Not Be Available At All Locations -



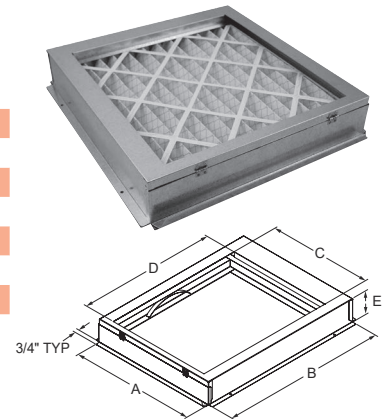
BASE CANS, PLENUMS, FILTER FRAMES AND BASES

FILTER BASES — MULTI-POSITION

1" - 2"

ITEM #	SIZE (")	A (")	B (")	C (")	D (")	E (")	CTN/QTY	WT/100
599424	14 × 25	14-1/4	25-1/4	11-3/4	23	4	*	800
599426	16 × 25	17-5/8	25-1/4	15-1/8	23	4	*	850
599430	20 × 25	21-5/8	25-1/4	19-1/8	23	4	*	950
599434	24 × 24	24-5/8	25-1/4	22-1/8	23	4	*	1000
599444	14 × 28	14-3/8	28-5/8	11-3/4	24	4	*	900
599446	16 × 28	17-5/8	28-5/8	14-1/2	24	4	*	1050
599450	20 × 28	21-5/8	28-5/8	18	24	4	*	1150

*Product shipped individually.

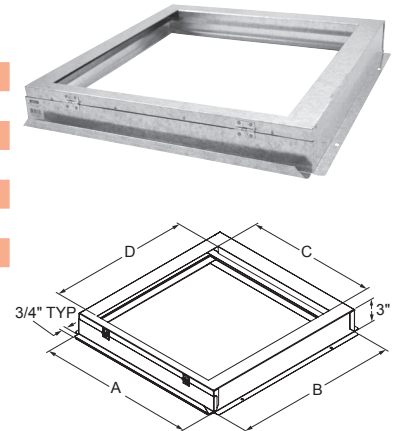


FILTER BASES — ECONOMY

1"

ITEM #	MODEL	SIZE (")	A (")	B (")	C (")	D (")	CTN/QTY	WT/100
599503	1425	14 × 25	14-3/8	28-5/8	11-3/4	24	*	550
599506	1625	16 × 25	17-5/8	28-5/8	14-1/2	24	*	600
599504	2025	20 × 25	21-5/8	28-5/8	18	24	*	640
599505	2424	24 × 24	24-5/8	28-5/8	21	23-1/8	*	700
599508	1620-FC	16 × 20	17-1/2	22	13-7/8	18-7/8	*	500
599510	2020-FC	20 × 20	21	22	17-3/8	18-7/8	*	550
599515	2520-FCW	25 × 20 Wide	25-3/8	22-1/8	22-1/2	19	*	625
599518	2025-FCN	20 × 25 Narrow	22	25	19-1/2	21-1/2	*	640

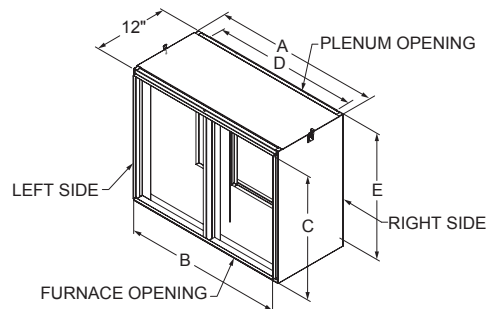
*Product shipped individually without carton.



FURNACE FILTER RACK — DOWNFLOW

ITEM #	MODEL	SIZE (")	A (")	B (")	C (")	D (")	E (")	CTN/QTY	WT/100
599332	DFA200	14 -1/2 × 21	14-1/2	13-3/4	19-3/4	12-3/4	20-1/4	*	1200
599333	DFA300	17-1/2 × 21	17-1/2	16-3/4	19-3/4	16-1/4	20-1/4	*	1400
599334	DFA400	22 × 21	22	21-1/4	19-3/4	20	20-1/4	*	1600
599335	DFA500	26-1/2 × 21	26-1/2	25-3/4	19-3/4	23-1/2	20-1/4	*	1800

*Product shipped individually without carton.



-E.&O.E. - Subject to Change Without Notice - May Not Be Available At All Locations -



www.eccomfg.com

Langley Distribution

19860 Fraser Highway
Langley, British Columbia
Canada V3A 4C9

Phone: 604-530-4151
Toll Free: 1-877-955-4805
Fax: 604-533-9335

Calgary Distribution

21 – 11150 38th Street, S.E.
Calgary, Alberta
Canada T2C 2Z6

Phone: 403-720-0895
Toll Free: 1-877-955-4815
Fax: 403-720-0897

Kent Distribution

20001 87th Ave. S, Bldg E
Kent, Washington
USA 98031

Phone: 253-872-3721
Toll Free: 1-800-207-6859
Fax: 253-872-3724